



**Techlogiks Canada Inc.**

*Networking the future*

# Contents

1.1	MODULAR JACKS	1
1.2	COPPER-PATCH PANELS	2
1.3	COPPER-PATCH CORDS	3
1.4	CAT5E/ CAT4 SHIELDED	4
1.5	WALL OUTLETS	5
1.6	CAT5E UTP CABLE	6
1.7	CAT5E FTP CABLE	7
1.8	CAT5E PATCH CABLE	8
1.9	CAT6 UTP CABLE	9
1.10	CAT6 FTP CABLE	10
1.11	CAT6 PATCH CABLE	11
2.1	FIBER- PATCH CORD	12-14
2.2	FIBER PATCH CORDS OM3 10GIG	15
2.3	FIBER ADAPTOR MULTIMODE	16
2.4	FIBER ADAPTOR SINGLEMODE	17
2.5	FIBER CONNECTOR	18
2.6	TIGHT BUFFER FIBER CABLE	19-20
2.7	INDOOR/OUTDOOR FIBER CABLE	21-22
2.8	ARMORED FIBER CABLE	23-24
2.9	FIBER PATCH PANEL	25
3.1	NETWORK CABINETS	26-29
3.2	SERVER CABINETS	30-33
3.3	WALLMOUNT - SINGLE SECTION	34-35
3.4	WALLMOUNT - DOUBLE SECTION	36-37
3.5	INDUSTRIAL ENCLOSERS	38-41
3.6	OPEN DATA RACK - SINGLE	42
3.7	OPEN DATA RACK - DOUBLE	43
3.8	CABINET ACCESSORIES	44-48
3.9	POWER DISTRIBUTION UNIT	49-50
4.1	LCD MONITOR WITH KVM SWITCH	51-52
5.1	NETWORK TOOLS	53
5.2	TOOL KIT & TESTER	54



# About Us

Techlogiks Inc. is the global provider of passive networking components. We are committed to innovation and excellence bringing freshness to the networking industry. With our innovative product range and professional management we offer the highest quality products that distinguish themselves from others with uncompromising performance and maximum reliability at competitive cost.

The highest quality standards for quality you can count on!

At Techlogiks, quality assurance is an integral component of our product planning and design process. From design to manufacturing to shipping, we take all necessary steps to ensure that you, our customer, receive a quality product.

We are committed to the future by updating and growing with the industry. We will continue to be compliant with the standards at the same time try to make sure the installation is made easier and the performance unmatched.



***Proudly Canadian***





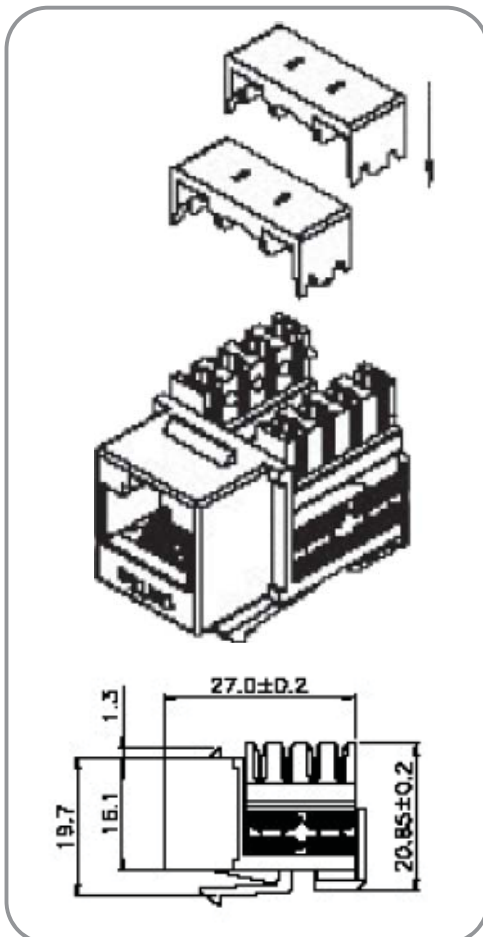
# Modular Jacks

Techlogiks Modular Jacks deliver the unbeatable performance providing maximum bandwidth for all the LAN, multimedia and Voice over Internet protocol (VoIP). Jacks can be mounted on any faceplates to give maximum flexibility in use

Modular Jacks delivers performance meeting or exceeding ANSI/TIA/EIA Category 5e or Category 6 specification requirements.

Techlogiks offers these jacks in a variety of colors and performance categories to service customer applications.

The system warranty program using other Techlogiks products covers jacks.



## PRODUCT SPECIFICATIONS

- Contacts 50mic gold plating
- 110 IDC terminations for 22 - 26 AWG solid wire.
- Color coded termination for easy id and installation
- Available in different colors
- Dust/retention caps over termination provide strain relief.
- Meets ANSI/TIA/EIA Cat5e/Cat 6 electrical performance
- Meets CENELEC generic cabling standard EN50173
- Meets ISO/IEC Generic Cabling standard 11801
- Electrical Specs according to UL 1863

## ORDERING INFORMATION

Part No.	Color	Part No.	Color
JHC5EU-WT	White	JHC5EU-BL	Blue
JHC5EU-RD	Red	JHC5EU-OR	Orange
JHC5EU-IV	Ivory	JHC5EU-GR	Green
JHC5EU-BK	Black	JHC5EU-YL	Yellow
JHC6U-WT	White	JHC6U-BL	Blue
JHC6U-RD	Red	JHC6U-OR	Orange
JHC6U-IV	Ivory	JHC6U-GR	Green
JHC6U-BK	Black	JHC6U-YL	Yellow



Techlogiks Universal patch panels are pre-configured in 12,16,24,32 and 48 port versions to meet the needs of nearly all customer applications. Universal panels can be used for both T568A and T568B wiring configurations, Thus eliminating the need for extra inventory. All panels are 19" standard rack mountable.

Techlogiks patch-panels are third party tested for performance meeting or exceeding as specified in ANSI/TIA/EIA Cat5E/ Cat6 patch-panels specifications

The system warranty program using other Techlogiks products covers patch-panels.



# Copper Patch-Panels

## PRODUCT SPECIFICATIONS

- Standard 19" Rack Mount Size
- 3P Cat5e/Cat6 Connecting Hardware Certificated
- IDC (Insulation Displacement Connect) Accepts 22-26AWG Solid Wire
- Electrical specs according to UL 1863
- Dielectric Withstand Voltage: 1000v/AC RMS, 60HZ/1min
- Meets ANSI/TIA/EIA Cat6/ Cat5e specifications
- Meets TIA/EIA TSB-40
- Meets ISO/IEC Generic Cabling Standard 11801

## ORDERING INFORMATION

Part No.	Rack Units	Height	Ports
PNC6UT16	1U	1.75"	16
PNC6UT24	1U	1.75"	24
PNC6UT32	2U	3.50"	32
PNC6UT48	2U	3.50"	48

Part No.	Rack Units	Height	Ports
PNC5EUT16	1U	1.75"	16
PNC5EUT24	1U	1.75"	24
PNC5EUT32	2U	3.50"	32
PNC5EUT48	2U	3.50"	48

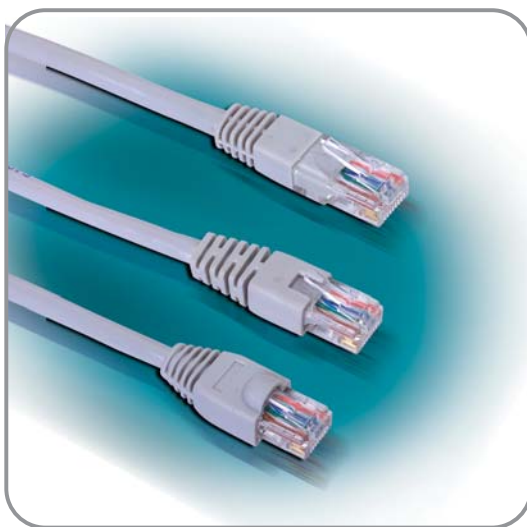
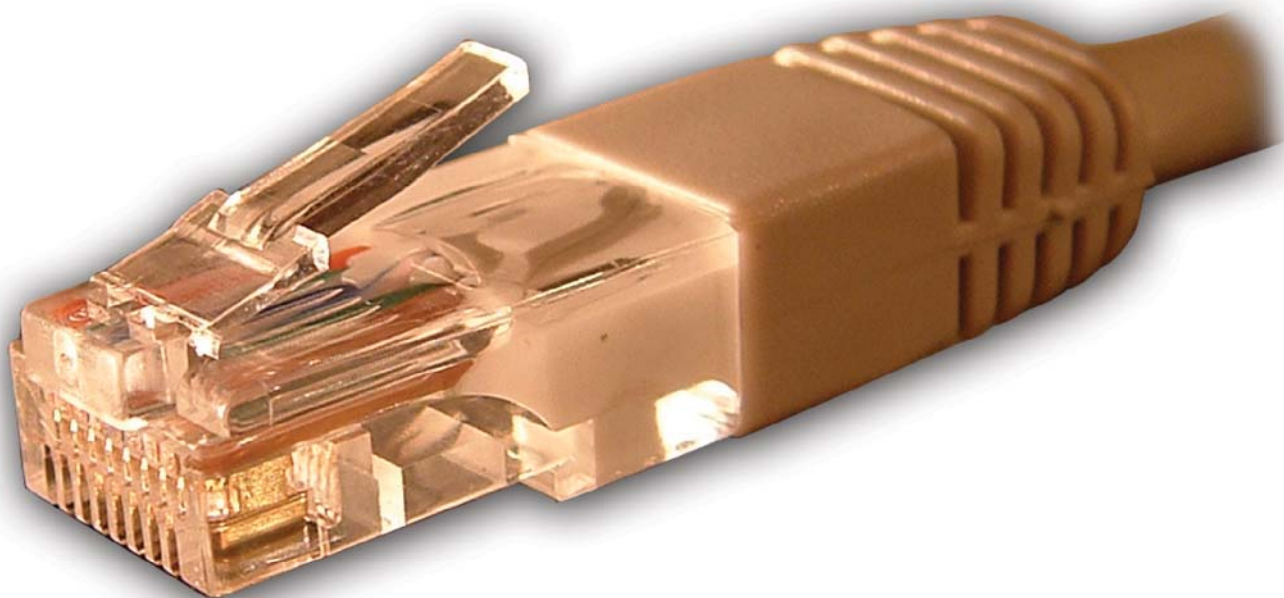


# Copper Patch-Cords

Techlogiks Patch-cords are factory tested for performance meeting or exceeding as specified in ANSI/TIA/EIA Cat5E/ Cat6 patch-cord specifications.

Techlogiks path-cords are known for unmatched performance and speed with the flexibility to choose right length and color according to customer requirement. We also offer custom lengths made on order only.

The system warranty program using other Techlogiks products covers patch-cords.



## PRODUCT SPECIFICATIONS

100% Factory Tested for Cat5e/Cat6 Performance  
ISO/IEC 11801 transmission requirements for stranded wire  
UL, CSA Approval & ETL Cat5e/Cat6 Verified  
Available in different colors and lengths  
Modular plug contacts 50micro gold plated  
Category 6 4-pair 24AWG stranded UTP/FTP cable  
Compatible With Both T568A and T568B Wiring  
Gigabit Ethernet 1000BASE-TX (TIA-854)

## ORDERING INFORMATION

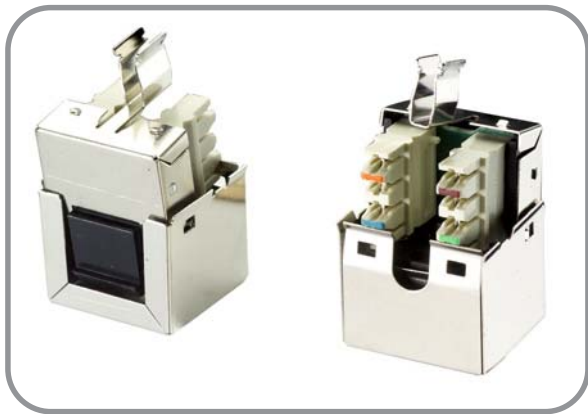
Cat5E	Cat6	Length (Meters)
PCC5EUH1XX	PCC6UH1XX	1
PCC5EUH2XX	PCC6UH2XX	2
PCC5EUH3XX	PCC6UH3XX	3
PCC5EUH5XX	PCC6UH5XX	5
PCC5EUH7XX	PCC6UH7XX	7
PCC5EUH10XX	PCC6UH10XX	10

Replace XX with GY = Gray, OR = Orange, RD = Red,  
BL = Blue, BK = Black, YL = Yellow, GR = Green





Techlogiks fully Shielded products are in line with the industry standards which give the additional safety from unwanted interference from other electronic devices giving high quality transmission.



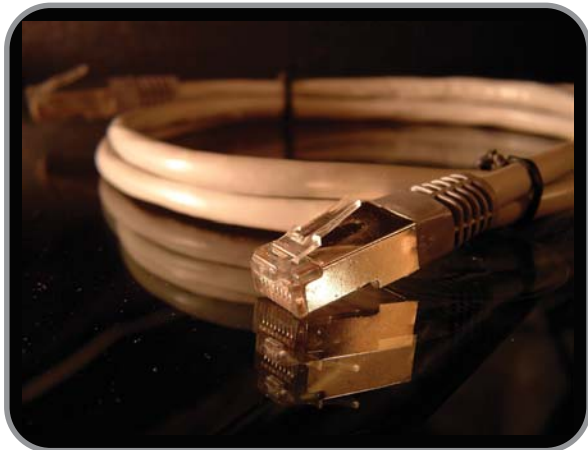
**JACKS SHIELDED**

### PRODUCT SPECIFICATIONS

- 110 IDC termination
- Contact performance over full range of (FCC) deflection limits
- Nose contacts min 50mic-inch gold plating over nickel under
- High impact thermoplastic Housing
- Polypropylene Dust cover
- Terminate up to 22 to 26 AWG/Solid
- UL Listed 1863, IEC-603-7 compliant
- FCC compliant 8-position plug with 2000 mating cycles

### ORDERING INFORMATION

Part No.	
SJHC5E	Modular Jack Cat5E Shielded
SJHC6	Modular Jack Cat6 Shielded



**PATCH-CORDS SHIELDED**

### PRODUCT SPECIFICATIONS

- Meets ANSI/TIA/EIA Cat5e/ Cat6 electrical performance
- Meets CENELEC generic cabling standard EN50173
- Meets ISO/IEC Generic Cabling standard 11801
- Center balanced to Category 5e specifications
- Compatible with standard 110 termination tools
- For Minimum disruption to cable twist IDC pair splitting
- Electrical Specs according to UL 1863
- Faster Punch-down possible by pair splitting & simple lacing

### ORDERING INFORMATION

Cat5E	Cat6	Length (Meters)
SPCC5EUH1XX	SPCC6UH1XX	1
SPCC5EUH2XX	SPCC6UH2XX	2
SPCC5EUH3XX	SPCC6UH3XX	3
SPCC5EUH5XX	SPCC6UH5XX	5

Replace XX with GY = Gray, OR = Orange, RD = Red, BL = Blue, BK = Black, YL = Yellow, GR = Green



**PATCH-PANEL SHIELDED**

### PRODUCT SPECIFICATIONS

- Standard 19" Rack Mount Size
- 3P Cat.5e/Cat6 Connect Hardware Certificated
- IDC Accepts 22-26AWG Solid Wire
- Electrical specs according to UL 1863
- Meets ANSI/TIA/EIA Cat5e performance requirements
- Meets TIA/EIA TSB-40

### ORDERING INFORMATION

Part No.	Ports	Part No.	Ports
SPNC6UT16	16	SPNC5EUT16	16
SPNC6UT24	24	SPNC5EUT24	24
SPNC6UT32	32	SPNC5EUT32	32
SPNC6UT48	48	SPNC5EUT48	48

**Cat5E/Cat6 Shielded**



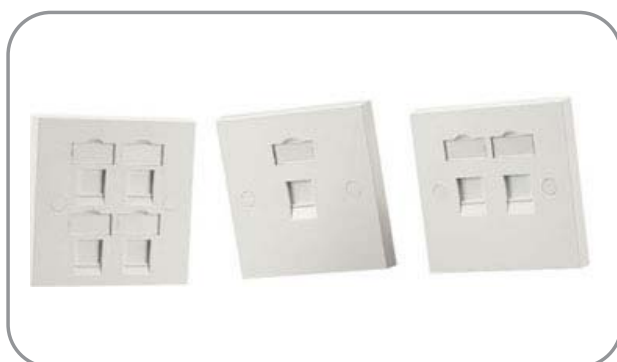


## AMERICAN STANDARD WALL OUTLETS

The American standard Dimension 113 x 70 Wall outlet come in 1, 2, 3, 4 and 6 ports giving maximum flexibility in use according to the customer requirement

### ORDERING INFORMATION

Part No.	Description
FPARH1	FACEPLATE, 1 GANG
FPARH2	FACEPLATE, 2 GANG
FPARH3	FACEPLATE, 3 GANG
FPARH4	FACEPLATE, 4 GANG
FPARH6	FACEPLATE, 6 GANG



## BRITISH STANDARD WALL OUTLETS

The British Standard dimension 86x86 Wall Outlet comes in 1 and 2 Ports with Shutter and Station ID. Any standard Jack can fit into these outlets allowing customer to choose. There is a choice of standard straight shuttered Face Plate or angled version of the same size both the versions come with shutter and Station ID.

### ORDERING INFORMATION

Part No.	Description
FPBSH1	Face Plate. Shuttered straight with Station ID 1 Port
FPBSH2	Face Plate. Shuttered straight with Station ID 2 Port
FPBANSH1	Angled Face plate 86x86 with shutter 1 Port
FPBANSH2	Angled Face plate 86x86 with shutter 2 Port

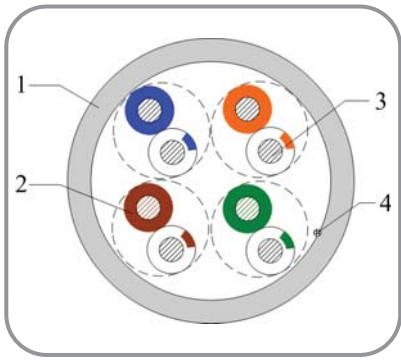


## SURFACE MOUNT BOXES

### ORDERING INFORMATION

Part No.	Description
SM1POW	Surface Mount 1 Port, Office White
SM2POW	Surface Mount 2 Port, Office White





**TL-BULKUTPC5E**

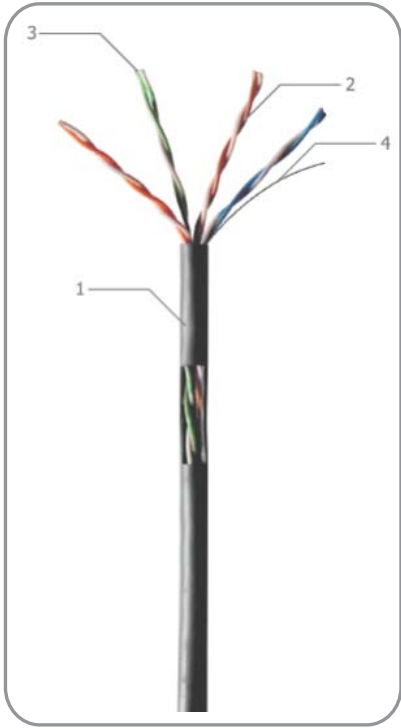
**DESCRIPTION**

Rated temperature: 75°C  
 Reference standard: UL444, TIA/EIA-568-B.2 & ISO 11801  
 Product standard certification:  
 Flame test: CMX,CM,CMR,IEC 60332-1  
 Solid bare copper conductor  
 Colour-coded PE insulation  
 PVC or LSZH jacket  
 Packaging: Box of 1000Ft

**APPLICATION**

100Base-T4  
 100Base-TX  
 100VG-AnyLAN  
 1000Base-T  
 1000Base-TX  
 155Mbps ATM  
 622Mbps ATM

**PHYSICAL CHARACTERISTICS**



- 1 Outer Jacket
- 2 Insulation
- 3 Conductor
- 4 Rip cord

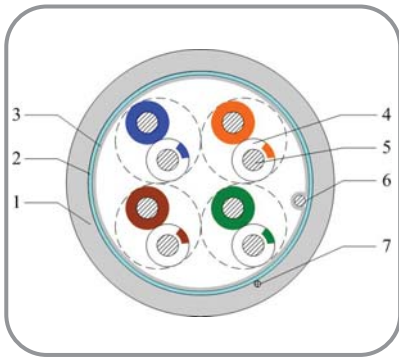
Structure	Construction	U/UTP
Conductor	Number of Pairs	4 Pairs
	AWG	24 AWG
	Conductor material	Solid bare copper
	Conductor dimension	0.505 ±0.02 mm
Insulation	Insulation material	HDPE
	Insulation dimension	0.88 ±0.05 mm
	Number colour (Strip marking)	1.White/Blue(Strip) & Blue 2.White/Orange(Strip) & Orange 3.White/Green(Strip) & Green 4.White/Brown(Strip) & Brown
Cabling	Twisting lay length	30mm
	Cabling lay length	200mm
Filler	Filler material	N/A
Binder	Binder material	N/A
Shield	Individual shield & material	N/A
	Primary overall shield & material	N/A
	Secondary overall shield & material	N/A
	Shield coverage	N/A
	Drain wire	N/A
Outer jacket	Outer jacket material	PVC or LSZH
	Outer jacket thickness	0.5 mm
	Overall nominal dimension	4.8 ±0.3 mm
	Outer jacket rip cord	Yes
	Outer jacket colour	PER CUSTOMER REQUEST
Mechanical characteristics	Operating temperature range	-20 ~ +75
	Bulk cable weight	29 kg/km
	Max. recommended pulling tension	110 N
	Min. bend radius (install)	4 x O.D.
	Outer jacket tensile strength	9 MPa
	Outer jacket elongation	100%
	Outer jacket aging condition	100 x 168 hrs
	After aging, Tensile strength	70% of Unaging
	After aging, Elongation	50% of Unaging
	Cold bend	No crack (@ -20 x 4hrs)
Electrical Characteristics	Nom. mutual capacitance	5.6 nF/100m (@1kHz)
	Pair to ground capacitance unbalance	330 pF/km
	Nominal velocity of propagation	65%
	Max. delay skew	45 ns/100m
	Max. conductor DC resistance	93.8 Ω/km (@ 20 )
	Max. conductor resistance unbalance	5% (@ 20 )
	Max. insulation resistance	5000 MΩ/km
	Max. operating voltage - UL	300 V

**ELECTRICAL CHARACTERISTICS**

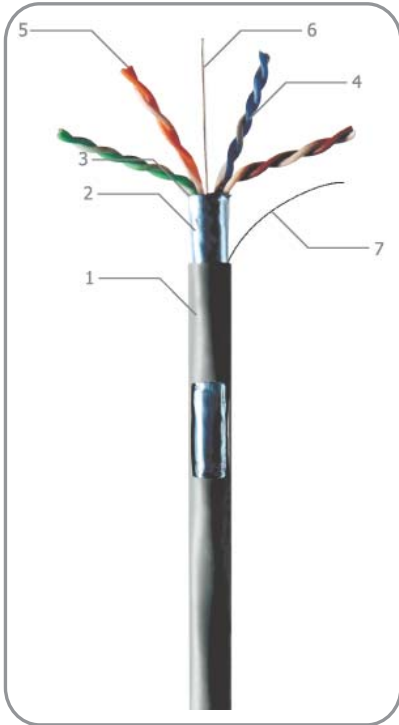
Frequency (MHz)	Input Impedance (Ω)	ATT (dB/100m)	RL (dB Min)	NEXT (dB Min)	PS NEXT (dB Min)	ELFEXT (dB Min)	PS ELFEXT (dB Min)	PD (ns/100m Max)
0.772	100 ± 15	1.8	---	67.0	64.0	---	---	---
1	100 ± 15	2.0	20.0	65.3	62.3	63.8	60.8	570.0
4	100 ± 15	4.1	23.0	56.3	53.3	51.8	48.8	552.0
8	100 ± 15	5.8	24.5	51.8	48.8	45.7	42.7	546.7
10	100 ± 15	6.5	25.0	50.3	47.3	43.8	40.8	545.4
16	100 ± 15	8.2	25.0	47.2	44.2	39.7	36.7	543.0
20	100 ± 15	9.3	25.0	45.8	42.8	37.8	34.8	542.0
25	100 ± 15	10.4	24.3	44.3	41.3	35.8	32.8	541.2
31.25	100 ± 15	11.7	23.6	42.9	39.9	33.9	30.9	540.4
62.5	100 ± 15	17.0	21.5	38.4	35.4	27.9	24.9	538.6
100	100 ± 15	22.0	20.1	35.3	32.3	23.8	20.8	537.6



# 4PR 24AWG FTP CAT5E



**TLBULKFTPC5E**



- 1 Outer jacket
- 2 AL-Foil
- 3 Polyester tape
- 4 Insulation
- 5 Conductor
- 6 Drain wire
- 7 Rip cord

## DESCRIPTION

Rated temperature: 75°C  
 Reference Standard: UL 444, TIA/EIA-568-B.2, & ISO/IEC 11801  
 Flame Test: CMX, CM, CMR, IEC 60332-1  
 Solid bare copper conductor  
 Colour-coded PE insulation  
 PVC or LSZH jacket  
 Packaging: Box OF 1000Ft

## APPLICATION

100Base-T4  
 100Base-TX  
 100VG-AnyLAN  
 1000Base-T  
 1000Base-TX  
 155Mbps ATM  
 622Mbps ATM

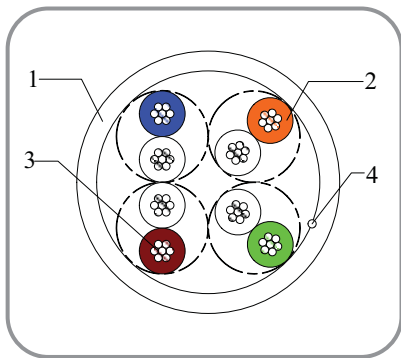
## PHYSICAL CHARACTERISTICS

Structure	Construction	F/UTP
	Number of pairs	4 Pairs
Conductor	AWG	24 AWG
	Conductor material	Solid bare copper
	Conductor dimension	0.515 ± 0.02 mm
Insulation	Insulation material	HDPE
	Insulation dimension	1.02 ± 0.05 mm
	Number colour (Strip marking)	1.White/Blue(Strip) & Blue 2.White/Orange(Strip) & Orange 3.White/Green(Strip) & Green 4.White/Brown(Strip) & Brown
Cabling	Twisting lay length	30mm
	Cabling lay length	200mm
Filler	Filler material	N/A
Binder	Binder material	Polyester Tape
Shield	Individual shield & material	N/A
	Primary overall shield & material	AL-Foil
	Secondary overall shield & material	N/A
	Shield coverage	100%
	Drain wire	0.4mm solid tinned copper
Outer jacket	Outer jacket material	PVC or LSZH
	Outer jacket thickness	0.5 mm
	Overall nominal dimension	6.0 ± 0.3 mm
	Outer jacket rip cord	Yes
	Outer jacket colour	Per customer request
Mechanical characteristics	Operating temperature range	-20 ~ +75
	Bulk cable weight	39 Kg
	Max. recommended rulling tension	80 N
	Min. bend radius (Install)	8 x O.D.
	Outer jacket tensile strength	9 MPa
	Outer jacket elongation	100%
	Outer jacket aging condition	100 x 168 hrs
	After aging, Tensile strength	75% of Unaging
	After aging, elongation	50% of Unaging
	Cold bend	No crack (@ -20 x 4hrs)
Electrical characteristics	Nom. mutual capacitance	5.6 nF/100m (@1kHz)
	Pair to ground capacitance unbalance	330 pF/km
	Nominal velocity of propagation	65%
	Max. delay skew	45 ns/100m
	Max. conductor DC resistance	93.8 Ω/km (@ 20 °C)
	Max. conductor resistance unbalance	5% (@ 20 °C)
	Max. insulation resistance	5000 MΩ/km
	Max. operating voltage - UL	300 V

## ELECTRICAL CHARACTERISTICS

Frequency (MHz)	Input Impedance (Ω)	ATT (dB/100m)	RL (dB Min)	NEXT (dB Min)	PS NEXT (dB Min)	ELFEXT (dB Min)	PS ELFEXT (dB Min)	PD (ns/100m Max)
1	100 ± 15	---	20.0	65.3	62.3	63.8	60.8	570.0
4	100 ± 15	4.1	23.0	56.3	53.3	51.8	48.8	552.0
8	100 ± 15	5.8	24.5	51.8	48.8	45.7	42.7	546.7
10	100 ± 15	6.5	25.0	50.3	47.3	43.8	40.8	545.4
16	100 ± 15	8.2	25.0	47.2	44.2	39.7	36.7	543.0
20	100 ± 15	9.3	25.0	45.8	42.8	37.8	34.8	542.0
25	100 ± 15	10.4	24.3	44.3	41.3	35.8	32.8	541.2
31.25	100 ± 15	11.7	23.6	42.9	39.9	33.9	30.9	540.4
62.5	100 ± 15	17.0	21.5	38.4	35.4	27.9	24.9	538.6
100	100 ± 15	22.0	20.1	35.3	32.3	23.8	20.8	537.6





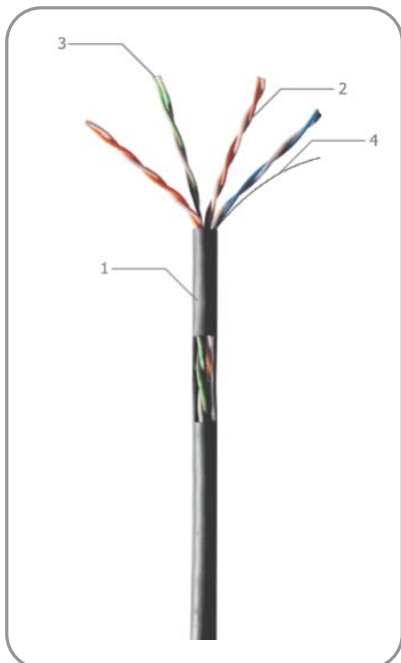
**TL-BULKSPCC5E**

**DESCRIPTION**

Rated temperature: 75°C  
 Reference standard: ISO/IEC11801; UL 444;  
 EIA/TIA 568B; IEC 61156  
 Product standard certification:  
 Flame test: CMX, CM, CMR, IEC60332-1  
 Stranded Bare copper conductor  
 Colour-coded PE insulation  
 PVC or LSZH jacket  
 Packaging: Box of 1000Ft

**APPLICATION**

100Base-T4  
 100Base-TX  
 100VG-AnyLAN  
 1000Base-T  
 1000Base-TX  
 155Mbps ATM  
 622Mbps ATM



- 1 Outer Jacket
- 2 Insulation
- 3 Conductor
- 4 Rip Cord

**PHYSICAL CHARACTERISTICS**

Structure	Construction	U/UTP
	Number of Pairs	4 Pairs
Conductor	AWG	24 AWG
	Conductor material	Stranded Bare copper
	Conductor dimension	7/0.20±0.02 mm
Insulation	Insulation material	HDPE
	Insulation dimension	0.99±0.05 mm
	Number colour (Ring marking)	1.White/Blue(Ring) & Blue 2.White/Orange(Ring) & Orange 3.White/Green(Ring) & Green 4.White/Brown(Ring) & Brown
Cabling	Twisting lay length	30mm
	Cabling lay length	200mm
Filler	Filler material	N/A
Binder	Binder material	N/A
Shield	Individual shield & material	N/A
	Primary overall shield & material	N/A
	Secondary overall shield & material	N/A
	Shield coverage	N/A
	Drain wire	N/A
Outer jacket	Outer jacket material	PVC or LSZH
	Outer jacket thickness	0.5 mm
	Overall nominal dimension	5.3 ±0.30mm
	Outer jacket rip cord	Yes
Mechanical characteristics	Operating temperature range	-20 ~ +75
	Bulk cable weight	32kg/km
	Max. recommended pulling tension	110 N
	Min. bend radius (install)	4 x O.D.
	Outer jacket tensile strength	9MPa
	Outer jacket elongation	100%
	Outer jacket aging condition	100 x 168 hrs
	After aging, Tensile strength	70% of Unaging
	After aging, Elongation	50% of Unaging
	Cold bend	No crack (@ -20 x 4hrs)
Electrical Characteristics	Nom. mutual capacitance	5.6 nF/100m (@1kHz)
	Pair to ground capacitance unbalance	330 pF/100m
	Nominal velocity of propagation	65%
	Max. delay skew	45 ns/100m
	Max. conductor DC resistance	87.6 Ω/km (@ 20 )
	Max. conductor resistance unbalance	5% (@ 20 )
	Max. insulation resistance	5000 MΩ/km
	Max. operating voltage - UL	300 V

**ELECTRICAL CHARACTERISTICS**

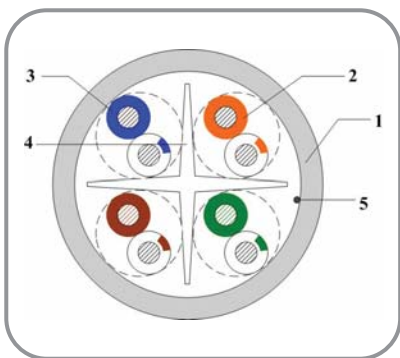
Frequency (MHz)	Input Impedance (Ω)	ATT (dB/100m)	RL (dB Min)	NEXT (dB Min)	PS NEXT (dB Min)	ELFEXT (dB Min)	PS ELFEXT (dB Min)	PD Max (ns/100m)
1	100 ± 15	2.4	20.0	65.3	62.3	63.8	60.8	570
4	100 ± 15	4.9	23.0	56.3	53.3	51.7	48.7	552
8	100 ± 15	7.0	24.5	51.8	48.8	45.7	42.7	547
10	100 ± 15	7.8	25.0	50.3	47.3	43.8	40.8	545
16	100 ± 15	9.8	25.0	47.2	44.2	39.7	36.7	543
20	100 ± 15	11.1	25.0	45.8	42.8	37.7	34.7	542
25	100 ± 15	12.5	24.2	44.3	41.3	35.8	32.8	541
31.25	100 ± 15	14.0	23.3	42.9	39.9	33.9	30.9	540
62.5	100 ± 15	20.4	20.7	38.4	35.4	27.8	24.8	539
100	100 ± 15	26.4	19.0	35.3	32.3	23.8	20.8	538



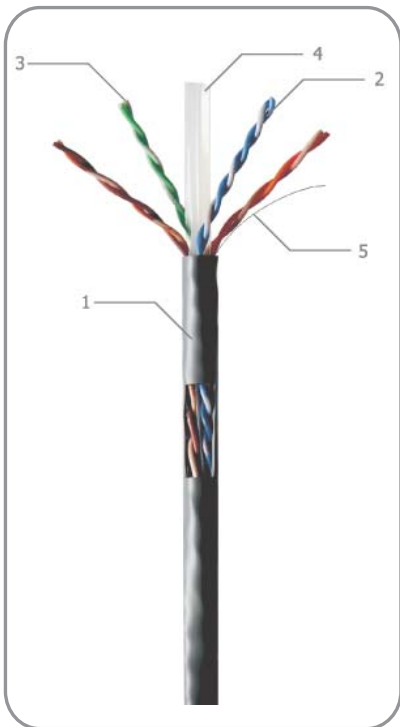
**4PR 24AWG CAT5E UTP Stranded Patch Cable**



# 4PAIR 23AWG UTP CAT6



**TL-BULKUTPC6**



- 1. Outer Jacket
- 2. Insulation
- 3. Conductor
- 4. Filler
- 5. Rip cord

## DESCRIPTION

Rated temperature: 75°C  
 Reference standard: UL444, TIA/EIA-568-B.2-1 & IEC/ISO 11801  
 Product standard certification: UL  
 Flame test: CMX, CM, CMR, IEC 60332-1  
 Solid bare copper conductor  
 Color-coded PE insulation  
 PVC or LSZH jacket  
 Packaging: Box of 1000Feet

## APPLICATION

100Base-T4  
 100Base-TX  
 100VG-AnyLAN  
 1000Base-T  
 1000Base-TX  
 155Mbps ATM  
 622Mbps ATM

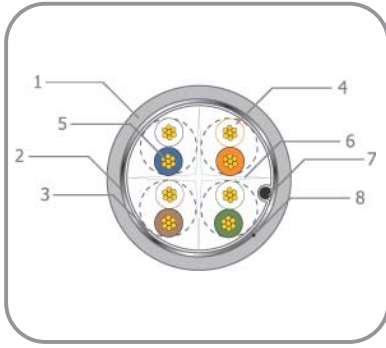
## PHYSICAL CHARACTERISTICS

Structure	Construction	U/UTP
	Number of pairs	4Pair
Insulation	AWG	23 AWG
	Conductor dimension (mm)	0.572 +/- 0.02 mm
	Solid or stranded; bare or tinned	Solid bare copper
	Insulation Material	HDPE
	Insulation dimension (mm)	1.01 +/- 0.05 mm
Filler	Number colour	1.Blue , White/Blue(strip)
	(strip marking)	2.Orange , White/Orange(strip)
		3.Green , White/Green(strip)
		4.Brown , White/Brown(strip)
Shield	Material	PE
	Individual shield & material	N/A
	Primary overall shield & material	N/A
	Secondary overall shield & material	N/A
Cabling	Shield coverage (%)	N/A
	Twisting lay length	<=30 mm
Outer jacket	Cabling lay length	<=200 mm
	Outer jacket material	PVC
	Overall nominal dimension (mm)	6.1 +/- 0.3 mm
Mechanical characteristics	Outer jacket thickness	0.5 mm
	Outer jacket rip cord	Yes
	Operating temp. range	-20 ~ +75
	Bulk cable weight (KG)	39.4 kg/km
	Max. recommended pulling tension	110 N
	Min. bend radius (install)	4 x O.D.
	Outer jacket tensile strength	>= 13.8 Mpa
	Outer jacket elongation	>= 100%
	Outer jacket aging condition	100 x 168 hrs
	After aging, tensile strength	>=75% of Unaging
After aging, elongation	>=50% of Unaging	
Electrical characteristics	Cold bend	No Crack (@ -20 x 4 hrs)
	Nom. mutual capacitance	<=5.6 nF/100m @1KHz
	Max. capacitance unbalance	<=330 pF/100m
	Nominal velocity of propagation	65%
	Max. delay skew	45 ns/100m
	Max. conductor DC resistance	73.2 Ω/km (@ 20 )
	Max. conductor resistance unbalance	<=5% (@ 20 )
Max. insulation resistance	5000 MΩ/km	
Max. operating voltage - UL	300 V	

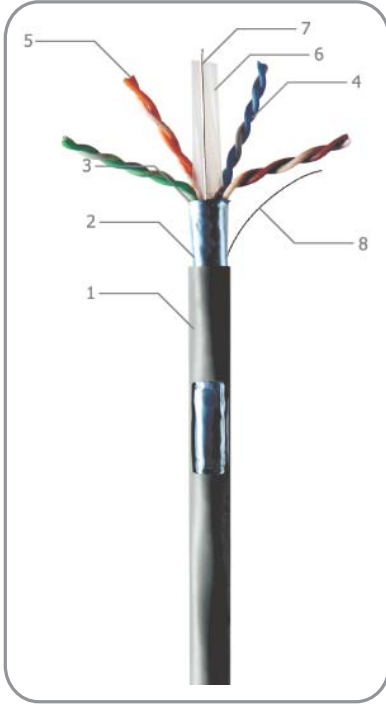
## ELECTRICAL CHARACTERISTICS

Frequency (MHz)	Input Impedance (ohms)	RL (dB)	ATT (dB/100m)	NEXT (dB)	PSNEXT (dB)	ELFEXT (dB/100m)	PSELFEXT (dB/100m)	PPD (ns/100m)
1	100+/-15	20.0	2.0	74.3	72.3	67.8	64.8	570.0
4	100+/-15	23.0	3.8	65.3	63.3	55.8	52.8	552.0
8	100+/-15	24.5	5.3	60.8	58.8	49.7	46.7	546.7
10	100+/-15	25.0	6.0	59.3	57.3	47.8	44.8	545.4
16	100+/-15	25.0	7.6	56.2	54.2	43.7	40.7	543.0
20	100+/-15	25.0	8.5	54.8	52.8	41.8	38.8	542.0
25	100+/-15	24.3	9.5	53.3	51.3	39.8	36.8	541.0
31.25	100+/-15	23.6	10.7	51.9	49.9	37.9	34.9	540.0
62.5	100+/-15	21.5	15.4	47.4	45.4	31.9	28.9	538.6
100	100+/-15	20.1	19.8	44.3	42.3	27.8	24.8	537.6
200	100+/-22	18.0	29.0	39.8	37.8	21.8	18.8	536.5
250	100+/-22	17.3	32.8	38.3	36.3	19.8	16.8	536.3





**TL-BULKFTP6**



- 1 Outer Jacket
- 2 Shield
- 3 Polyester Tape
- 4 Insulation
- 5 Conductor
- 6 Filler
- 7 Drain Wire
- 8 Rip Cord

**DESCRIPTION**

Rated temperature: 75°C  
 Reference standard: TIA/EIA 568B.2-1 UL444 & IEC 61156-6  
 Product standard certification:  
 Flame test: CMX,CM,CMR,IEC 60332-1  
 Stranded Bare copper conductor  
 Colour-coded PE insulation  
 PVC or LSZH jacket  
 Packaging: Box of 1000Ft

**APPLICATION**

100Base-T4  
 100Base-TX  
 100VG-AnyLAN  
 1000Base-T  
 1000Base-TX  
 155Mbps ATM  
 622Mbps ATM

**PHYSICAL CHARACTERISTICS**

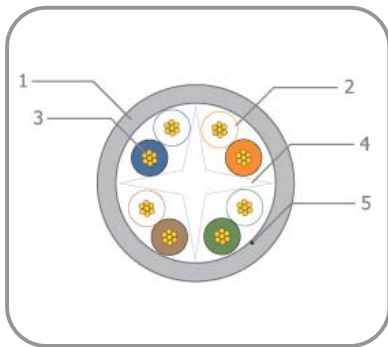
Structure	Construction	F/UTP
	Number of Pairs	4 Pairs
Conductor	AWG	26 AWG
	Conductor material	Stranded Bare copper
	Conductor dimension	7/0.16±0.02 mm
Insulation	Insulation material	HDPE
	Insulation dimension	0.86±0.05 mm
	Number colour (Ring marking)	1.White/Blue(Ring) & Blue 2.White/Orange(Ring) & Orange 3.White/Green(Ring) & Green 4.White/Brown(Ring) & Brown
Cabling	Twisting lay length	30mm
	Cabling lay length	200mm
Filler	Filler material	PE
Binder	Binder material	Polyester Tape
Shield	Individual shield & material	N/A
	Primary overall shield & material	AL-Foil
	Secondary overall shield & material	N/A
	Shield coverage	100%
Outer jacket	Drain wire	7/0.16 Stranded Tinned Copper
	Outer jacket material	PVC or LSZH
	Outer jacket thickness	0.45mm
	Overall nominal dimension	5.8 ±0.30mm
	Outer jacket rip cord	Yes
Mechanical characteristics	Operating temperature range	-20 ~ +75
	Bulk cable weight	34 kg/km
	Max. recommended pulling tension	110 N
	Min. bend radius (install)	8 x O.D.
	Outer jacket tensile strength	9 MPa
	Outer jacket elongation	100%
	Outer jacket aging condition	100 x 168 hrs
	After aging, Tensile strength	70% of Unaging
	After aging, Elongation	50% of Unaging
	Cold bend	No crack (@ -20 x 4hrs)
Electrical Characteristics	Nom. mutual capacitance	5.6 nF/100m (@1kHz)
	Pair to ground capacitance unbalance	330 pF/100m (@1kHz)
	Nominal velocity of propagation	65%
	Max. delay skew	45 ns/100m
	Max. conductor DC resistance	145 Ω/km (@ 20 )
	Max. conductor resistance unbalance	5% (@ 20 )
	Max. insulation resistance	5000 MΩ/km
	Max. operating voltage - UL	300 V

**ELECTRICAL CHARACTERISTICS**

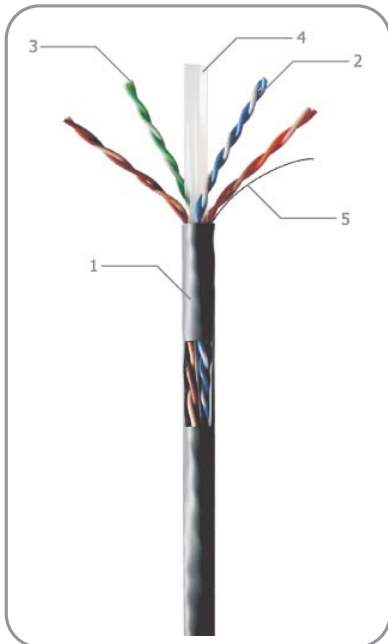
Frequency (MHz)	Input Impedance (Ω)	ATT (dB/100m)	RL (dB Min)	NEXT (dB Min)	PS NEXT (dB Min)	ELFEXT (dB Min)	PS ELFEXT (dB Min)	PD Max (ns/100m)	SKEW Max (ns/100m)
0.772	100 ± 15	2.7	---	76.0	74.0	---	---	---	---
1	100 ± 15	3.1	20.0	74.3	72.3	67.8	64.8	570	45.0
4	100 ± 15	6.1	23.0	65.3	63.3	55.8	52.8	552	45.0
8	100 ± 15	8.6	24.5	60.8	58.8	49.7	46.7	547	45.0
10	100 ± 15	9.7	25.0	59.3	57.3	47.8	44.8	545	45.0
16	100 ± 15	12.4	25.0	56.2	54.2	43.7	40.7	543	45.0
20	100 ± 15	13.9	25.0	54.8	52.8	41.8	38.8	542	45.0
25	100 ± 15	15.6	24.2	53.3	51.3	39.8	36.8	541	45.0
31.25	100 ± 15	17.6	23.3	51.9	49.9	37.9	34.9	540	45.0
62.5	100 ± 15	25.5	20.7	47.4	45.4	31.9	28.9	539	45.0
100	100 ± 15	33.0	19.0	44.3	42.3	27.8	24.8	538	45.0
200	100 ± 22	48.6	16.4	39.8	37.8	21.8	18.8	537	45.0
250	100 ± 22	55.3	15.6	38.3	36.3	19.8	16.8	536	45.0



# 4PR 24AWG CAT6 UTP Stranded Patch Cable



**TL-BULKSPCC6**



- 1 Outer Jacket
- 2 Insulation
- 3 Conductor
- 4 Filler
- 5 Rip Cord

## DESCRIPTION

Rated temperature: 75°C  
 Reference standard: UL444;EIA/TIA 568 B & IEC 61156  
 Product standard certification:  
 Flame test: CMX, CM, CMR, IEC60332-1  
 Stranded Bare copper conductor  
 Colour-coded PE insulation  
 PVC or LSZH jacket  
 Packaging: Per customer request

## APPLICATION

100Base-T4  
 100Base-TX  
 100VG-AnyLAN  
 1000Base-T  
 1000Base-TX  
 155Mbps ATM  
 622Mbps ATM

## PHYSICAL CHARACTERISTICS

Structure	Construction	U/UTP
	Number of Pairs	4 Pairs
Conductor	AWG	24 AWG
	Conductor material	Stranded Bare copper
	Conductor dimension	7/0.20±0.02 mm
Insulation	Insulation material	HDPE
	Insulation dimension	1.00±0.05 mm
	Number colour (Ring marking)	1.White/Blue(Ring) & Blue 2.White/Orange(Ring) & Orange 3.White/Green(Ring) & Green 4.White/Brown(Ring) & Brown
Cabling	Twisting lay length	30mm
	Cabling lay length	200mm
Filler	Filler material	PE
Binder	Binder material	N/A
Shield	Individual shield & material	N/A
	Primary overall shield & material	N/A
	Secondary overall shield & material	N/A
	Shield coverage	N/A
	Drain wire	N/A
Outer jacket	Outer jacket material	PVC or LSZH
	Outer jacket thickness	0.5 mm
	Overall nominal dimension	5.9 ±0.30mm
	Outer jacket rip cord	YES
Mechanical characteristics	Operating temperature range	-20 ~ +75
	Bulk cable weight	37kg/km
	Max. recommended pulling tension	110 N
	Min. bend radius (install)	4 x O.D.
	Outer jacket tensile strength	9 MPa
	Outer jacket elongation	100%
	Outer jacket aging condition	100 x168 hrs
	After aging, Tensile strength	70% of Unaging
	After aging, Elongation	50% of Unaging
	Cold bend	No crack (@ -20 x 4hrs)
Electrical Characteristics	Nom. mutual capacitance	5.6 nF/100m (@1kHz)
	Pair to ground capacitance unbalance	330pF/100m
	Nominal velocity of propagation	65%
	Max. delay skew	45 ns/100m
	Max. conductor DC resistance	87.6 Ω/km (@ 20 °C)
	Max. conductor resistance unbalance	5% (@ 20 °C)
	Max. insulation resistance	5000 MΩ/km
	Max. operating voltage - UL	300 V

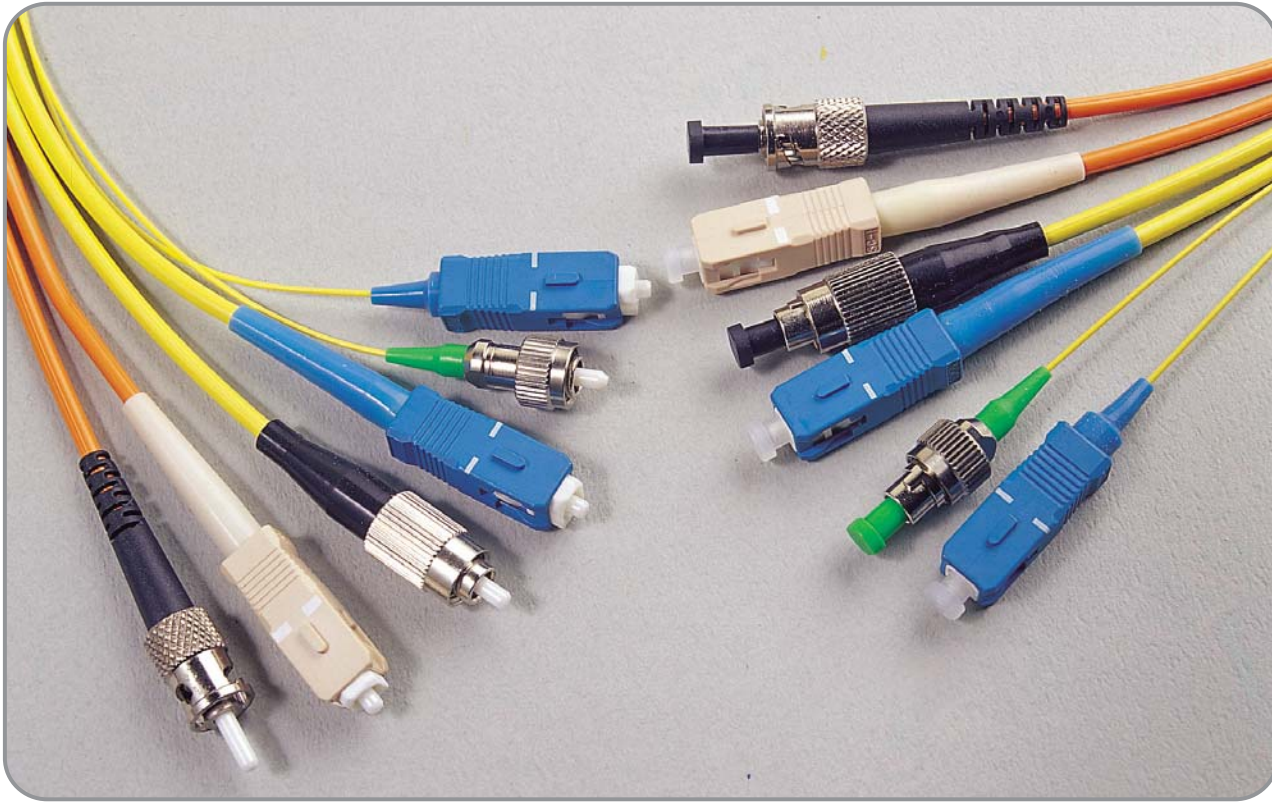
## ELECTRICAL CHARACTERISTICS

Frequency (MHz)	Input Impedance (Ω)	ATT (dB/100m)	RL (dB Min)	NEXT (dB Min)	PS NEXT (dB Min)	ELFEXT (dB Min)	PS ELFEXT (dB Min)	PD Max (ns/100m)
1	100 ± 15	2.4	20.0	74.3	72.3	67.8	64.8	570.0
4	100 ± 15	4.5	23.0	65.3	63.3	55.8	52.8	552.0
8	100 ± 15	6.4	24.5	60.8	58.8	49.7	46.7	546.7
10	100 ± 15	7.1	25.0	59.3	57.3	47.8	44.8	545.4
16	100 ± 15	9.1	25.0	56.2	54.2	43.7	40.7	543.0
20	100 ± 15	10.2	25.0	54.8	52.8	41.8	38.8	542.0
25	100 ± 15	11.4	24.2	53.3	51.3	39.8	36.8	541.2
31.25	100 ± 15	12.8	23.3	51.9	49.9	37.9	34.9	540.4
62.5	100 ± 15	18.5	20.7	47.4	45.4	31.9	28.9	538.6
100	100 ± 15	23.8	19.0	44.3	42.3	27.8	24.8	537.6
155	100 ± 22	30.2	17.4	41.4	39.4	24.0	21.0	536.9
200	100 ± 22	34.8	16.4	39.8	37.8	21.8	18.8	536.5
250	100 ± 22	39.4	15.6	38.3	36.3	19.8	16.8	536.3





# Fiber Patch-Cords



Techlogiks Fiber patch cords can be used to provide connections from active components to patch-panels or work area to wall outlets. Patch-cords are polished, crimped in factory and tested for superior performance.

Techlogiks offers patch-cords with LC, SC, ST, FC, MT-RJ , Connectors, duplex or simplex, Multi-mode 62.5/125, 50/125 or Single-mode fibers. We Offer 1.6mm or 3.00mm UL or LSOH according to your requirement.

Optical, mechanical and environmental performance: Meets TIA/EIA-568-B.3 specs.

## Applications

- Telecommunications
- Fiber to Home
- Local Area Network
- Fiber Optic sensors
- Testing Instruments
- Video Transmission
- CATV

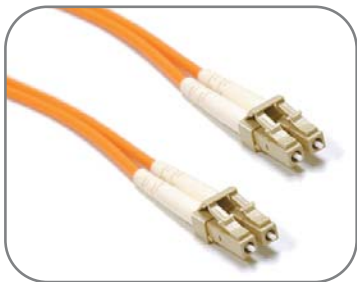
## Features

- Low insertion loss
- Low Back reflection loss
- Easy to Handle
- Customer Defined specifications
- Easy to Handle

PERFORMANCE SPECIFICATION								
ITEM	FIBER PIGTAIL/PATCH CORDS							
	Singlemode				Multimode			
Mode Type								
Typical Insertion Loss, dB	0.15	0.2	0.3	0.5	0.3	0.5	0.3	0.6
Maximum Insertion Loss, dB	0.25	0.32	0.4	0.55	0.4	0.55	0.5	1.0
Typical Return Loss, dB	50	45	45	40	-	-	-	-
Maximum Return Loss, dB	48	42	42	35	-	-	-	-
Operation Temperature, °C	-40 - +75							
Storage Temperature, °C	-55 - +85							
Fiber Length	To Any specified Length							



# Fiber Patch-Cords

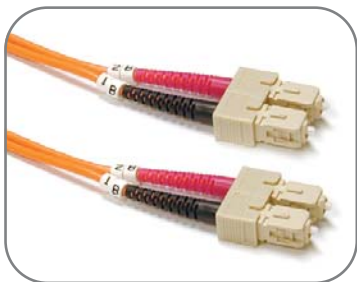


## LC Patchcords Multimode

DPCXXLCMXXX	LC-LC MULTIMODE FIBER P/CORD
DPCXXLCSTMXXX	LC-ST MULTIMODE FIBER P/CORD
DPCXXLCFCMXXX	LC-FC MULTIMODE FIBER P/CORD
DPCXXLCMJMXXX	LC-MTRJ MULTIMODE FIBER P/CORD
DPCXXLCSCMXXX	LC-SC MULTIMODE FIBER P/CORD

Replace DPXX with DP62 for 62.5/125 or DP50 for 50/125

Replace MXXX with 001,002,003...100Meters



## SC Patchcords Multimode

DPCXXSCSCMXXX	SC-SC MULTIMODE FIBER P/CORD
DPCXXSCSTMXXX	SC-ST MULTIMODE FIBER P/CORD
DPCXXSCFCMXXX	SC-FC MULTIMODE FIBER P/CORD
DPCXXSCMJMXXX	SC-MTRJ MULTIMODE FIBER P/CORD
DPCXXLCSCMXXX	LC-SC MULTIMODE FIBER P/CORD

Replace DPXX with DP62 for 62.5/125 or DP50 for 50/125

Replace MXXX with 001,002,003...100Meters



## ST Patchcords Multimode

DPCXXSTSTMXXX	ST-ST MULTIMODE FIBER P/CORD
DPCXXSTLCMXXX	ST-LC MULTIMODE FIBER P/CORD
DPCXXSTFCMXXX	ST-FC MULTIMODE FIBER P/CORD
DPCXXSTMJMXXX	ST-MTRJ MULTIMODE FIBER P/CORD
DPCXXSTSCMXXX	ST-SC MULTIMODE FIBER P/CORD

Replace DPXX with DP62 for 62.5/125 or DP50 for 50/125

Replace MXXX with 001,002,003...100Meters



## FC Patchcords Multimode

DPCXXFCFCMXXX	FC-FC MULTIMODE FIBER P/CORD
DPCXXFCSTMXXX	FC-ST MULTIMODE FIBER P/CORD
DPCXXFCLCMXXX	FC-LC MULTIMODE FIBER P/CORD
DPCXXFCMJMXXX	FC-MTRJ MULTIMODE FIBER P/CORD
DPCXXFCSCMXXX	FC-SC MULTIMODE FIBER P/CORD

Replace DPXX with DP62 for 62.5/125 or DP50 for 50/125

Replace MXXX with 001,002,003...100Meters

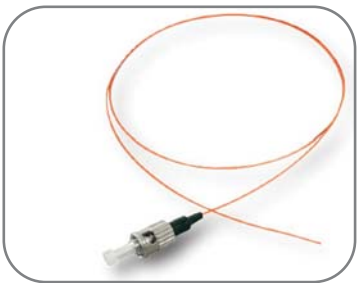


## MTRJ Patchcords Multimode

DPCXXLCMJMXXX	MJ-MJ MULTIMODE FIBER P/CORD
DPCXXMJSTMXXX	MJ-ST MULTIMODE FIBER P/CORD
DPCXXMJFCMXXX	MJ-FC MULTIMODE FIBER P/CORD
DPCXXMJLCMXXX	MTRJ-LC MULTIMODE FIBER P/CORD
DPCXXMJSCMXXX	MJ-SC MULTIMODE FIBER P/CORD

Replace DPXX with DP62 for 62.5/125 or DP50 for 50/125

Replace MXXX with 001,002,003...100Meters



## Multimode Pigtails

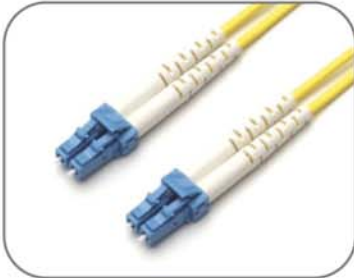
MPTXXLCX	LC TYPE MULTIMODE PIGTAIL
MPTXXSTX	ST TYPE MULTIMODE PIGTAIL
MPTXXFCX	FC TYPE MULTIMODE PIGTAIL
MPTXXMJX	MTRJ TYPE MULTIMODE PIGTAIL
MPTXXSCX	SC TYPE MULTIMODE PIGTAIL

Replace MPTXX with MPT62 for 62.5/125 or MPT50 for 50/125

Replace X with 1, 2, 3 Meters







### LC Patchcords Singlemode

DPC09LCLCSXXX	LC-LC FIBER SINGLEMODE P/CORD
DPC09LCSTSXXX	LC-ST FIBER SINGLEMODE P/CORD
DPC09LCFCSXXX	LC-FC FIBER SINGLEMODE P/CORD
DPC09LCMJSXXX	LC-MTRJ FIBER SINGLEMODE P/CORD
DPC09LCSCSXXX	LC-SC FIBER SINGLEMODE P/CORD

Replace SXXX with 001,002,003...100Meters



### SC Patchcords Singlemode

DPC09SCSCSXXX	SC-SC FIBER SINGLEMODE P/CORD
DPC09SCSTSXXX	SC-ST FIBER SINGLEMODE P/CORD
DPC09SCFCSXXX	SC-FC FIBER SINGLEMODE P/CORD
DPC09SCMJSXXX	SC-MTRJ FIBER SINGLEMODE P/CORD
DPC09LCSCSXXX	LC-SC FIBER SINGLEMODE P/CORD

Replace SXXX with 001,002,003...100Meters



### ST Patchcords Singlemode

DPC09STSTSXXX	ST-ST FIBER SINGLEMODE P/CORD
DPC09STLCSXXX	ST-LC FIBER SINGLEMODE P/CORD
DPC09STFCSXXX	ST-FC FIBER SINGLEMODE P/CORD
DPC09STMJSXXX	ST-MTRJ FIBER SINGLEMODE P/CORD
DPC09STSCSXXX	ST-SC FIBER SINGLEMODE P/CORD

Replace SXXX with 001,002,003...100Meters



### FC Patchcords Singlemode

DPC09FCFCSXXX	FC-FC FIBER SINGLEMODE P/CORD
DPC09FCSTSXXX	FC-ST FIBER SINGLEMODE P/CORD
DPC09FCLCSXXX	FC-LC FIBER SINGLEMODE P/CORD
DPC09FCMJSXXX	FC-MTRJ FIBER SINGLEMODE P/CORD
DPC09FCSCSXXX	FC-SC FIBER SINGLEMODE P/CORD

Replace SXXX with 001,002,003...100Meters



### MTRJ Patchcords Singlemode

DPC09LCMJSXXX	MJ-MJ FIBER SINGLEMODE P/CORD
DPC09MJSTSXXX	MJ-ST FIBER SINGLEMODE P/CORD
DPC09MJFCSXXX	MJ-FC FIBER SINGLEMODE P/CORD
DPC09MJLCSXXX	MTRJ-LC FIBER SINGLEMODE P/CORD
DPC09MJSCSXXX	MJ-SC FIBER SINGLEMODE P/CORD

Replace SXXX with 001,002,003...100Meters



### Singlemode Pigtails

SPTXXLCX	LC TYPE SINGLEMODE PIGTAIL
SPTXXSTX	ST TYPE SINGLEMODE PIGTAIL
SPTXXFCX	FC TYPE SINGLEMODE PIGTAIL
SPTXXMJX	MTRJ TYPE SINGLEMODE PIGTAIL
SPTXXSCX	SC TYPE SINGLEMODE PIGTAIL

Replace X with 1, 2, 3 Meters





# Fiber Patch-Cords

## OM3 10GIG Laser Optimized Patchcords

Techlogiks laser optimized multimode 50/125 patch-cords are designed to utilize VCSEL lasers in the 850nm window to allow transmission speeds up to 10 Gigabits(Gbps) per second over greater distance.

### Specifications:

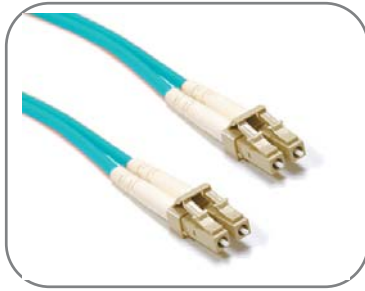
Insertion Loss: Max 0.3dB (MTRJ: Max 0.5dB)  
 Mating Durability: < 0.2 dB (500 cycles) per FOTP-21  
 Cable Retention: > 10 lbs. per FOTP-6.  
 Operating Temp: -20 °C to +70°C

### Features:

Fully compatible with 50/125 multimode fiber applications  
 Use with both LED and VCSEL laser light sources  
 Designed for use in 10-Gigabit Ethernet applications  
 Factory terminated 100% optically tested for superior performance

### Applications:

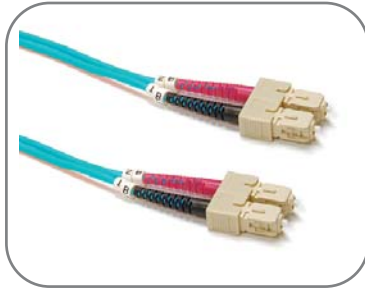
10 Gigabit Ethernet.  
 Campus Networking  
 Data Storage connections  
 Security, Video surveillance.



## LC 10GIG OM3 Patchcords

OM3LCLC10GXX	LC-LC 10GIG FIBER P/CORD
OM3LCST10GXX	LC-ST 10GIG FIBER P/CORD
OM3LCFC10GXX	LC-FC 10GIG FIBER P/CORD
OM3LCMJ10GXX	LC-MTRJ 10GIG FIBER P/CORD
OM3LCSC10GXX	LC-SC 10GIG FIBER P/CORD

Replace XX with 01,02,03...10Meters



## SC 10GIG OM3 Patchcords

OM3SCSC10GXX	SC-SC 10GIG FIBER P/CORD
OM3SCST10GXX	SC-ST 10GIG FIBER P/CORD
OM3SCFC10GXX	SC-FC 10GIG FIBER P/CORD
OM3SCMJ10GXX	SC-MTRJ 10GIG FIBER P/CORD
OM3LCSC10GXX	LC-SC 10GIG FIBER P/CORD

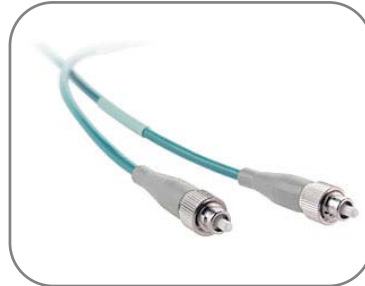
Replace XX with 01,02,03...10Meters



## ST 10GIG OM3 Patchcords

OM3STST10GXX	ST-ST 10GIG FIBER P/CORD
OM3LCST10GXX	ST- LC 10GIG FIBER P/CORD
OM3STFC10GXX	ST-FC 10GIG FIBER P/CORD
OM3STMJ10GXX	ST-MTRJ 10GIG FIBER P/CORD
OM3STSC10GXX	ST-SC 10GIG FIBER P/CORD

Replace XX with 01,02,03...10Meters



## FC 10GIG OM3 Patchcords

OM3FCFC10GXX	FC-FC 10GIG FIBER P/CORD
OM3LCFC10GXX	FC-LC 10GIG FIBER P/CORD
OM3STFC10GXX	ST-FC 10GIG FIBER P/CORD
OM3FCMJ10GXX	FC-MTRJ 10GIG FIBER P/CORD
OM3FCSC10GXX	FC-SC 10GIG FIBER P/CORD

Replace XX with 01,02,03...10Meters



## 10GIG OM3 Pigtails

OM3PLCX	LC TYPE MULTIMODE PIGTAIL
OM3PSTX	ST TYPE MULTIMODE PIGTAIL
OM3PFCX	FC TYPE MULTIMODE PIGTAIL
OM3PMJX	MTRJ TYPE MULTIMODE PIGTAIL
OM3PSCX	SC TYPE MULTIMODE PIGTAIL

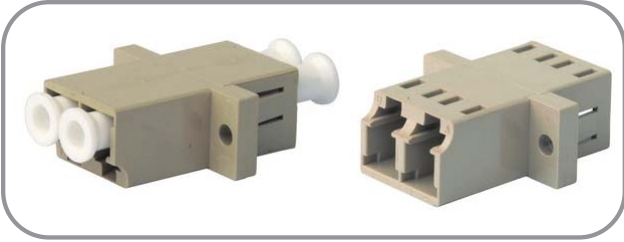
Replace X with 01,02,03...10Meters



Techlogiks Adaptors can be used with Techlogiks fiber Adaptor panels to load on the Fiber patch-panels or work outlets. Meets the requirements of TIA/EIA-568-C.3. MM/SM mated pair insertion loss: < 0.50dB (0.25dB typical). Operating/Storage temp: -20°C to 60°C.

## PERFORMANCE SPECIFICATION

Item	Adaptors	
Sleeve Material	Multimode	
	Ceramic	Bronze
Typical Insertion Loss, dB	0.1	0.3
Operating Temperature, °C	- 40 - + 75	
Storage Temperature, °C	- 55 - + 85	



LCLC DUPLEX Adaptor, Multi-mode  
Part No.: ADLCLCMM



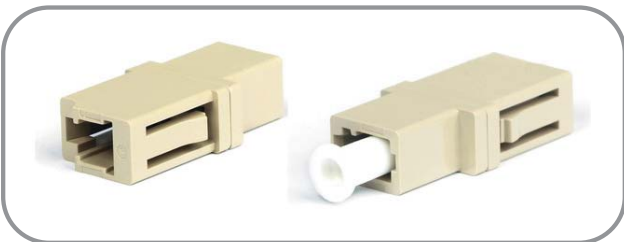
SCSC DUPLEX Adaptor, Multi-mode  
Part No.: ADSCSCMM



SCST DUPLEX Adaptor, Multi-mode  
Part No.: ADSCSTMM



FCFC SIMPLEX Adaptor, Multi-mode  
Part No.: ASFCFCMM



LCLC SIMPLEX Adaptor, Multi-mode  
Part No.: ASLCLCMM



SCSC SIMPLEX Adaptor, Multi-mode  
Part No.: ASSCSCMM



STST SIMPLEX Adaptor, Multi-mode  
Part No.: ASSTSTMM



SCST SIMPLEX Adaptor, Multi-mode  
Part No.: ASSCSTMM



# Fiber Adaptors Singlemode

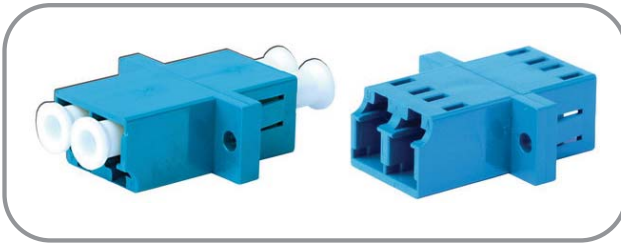
Techlogiks Adaptors can be used with Techlogiks fiber Adaptor panels to load on the Fiber patch-panels or work outlets.

Meets the requirements of TIA/EIA-568-C.3.

MM/SM mated pair insertion loss: < 0.50dB (0.25dB typical).  
Operating/Storage temp: -20°C to 60°C.

## PERFORMANCE SPECIFICATION

Item	Adaptors	
	Singlemode	
Sleeve Material	Ceramic	Bronze
Typical Insertion Loss, dB	0.1	0.1
Operating Temperature, °C	-40 - +75	
Storage Temperature, °C	-55 - +85	



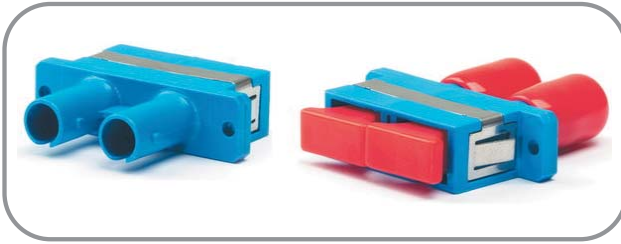
LCLC DUPLEX Adaptor, Single-mode

Part No.: ADLCLCSM



SCSC DUPLEX Adaptor, Single-mode

Part No.: ADSCSCSM



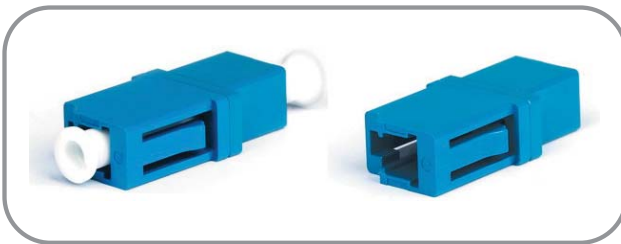
SCST DUPLEX Adaptor, Single-mode

Part No.: ADSCSTSM



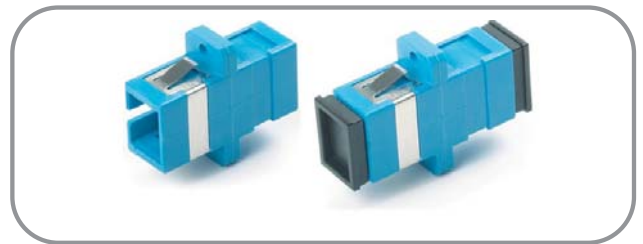
FCFC SIMPLEX Adaptor, Single-mode

Part No.: ASFCFCSM



LCLC SIMPLEX Adaptor, Single-mode

Part No.: ASLCLCSM



SCSC SIMPLEX Adaptor, Single-mode

Part No.: ASSCSCSM



STST SIMPLEX Adaptor, Single-mode

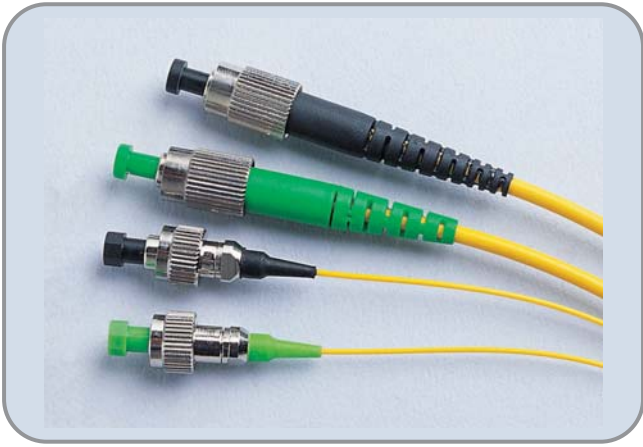
Part No.: ASSTSTSM



SCST SIMPLEX Adaptor, Single-mode

Part No.: ASSCSTSM





**PERFORMANCE SPECIFICATION**

Item	Connector Type	
	Singlemode	Multimode
Model Type		
Typical Insertion Loss	0.15	0.3
Typical Return Loss(*)	0.50	
Operating Temperature, °C		-40 - +75
Storage Temperature, °C		-55 - +85

Note: \* for Convex polishing only



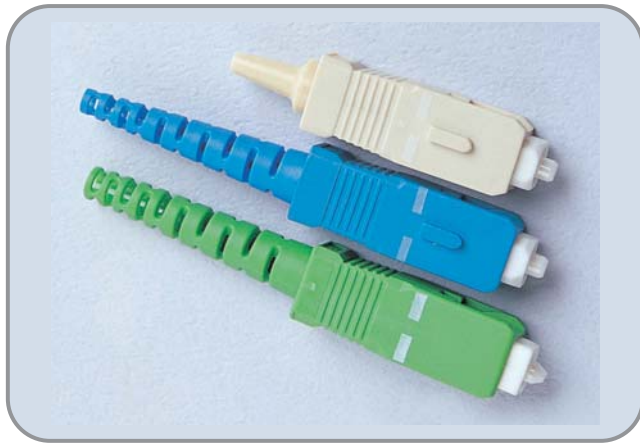
LC CONNECTOR, SM/MM, 3.0MM BOOT  
 Part No.:  
 SINGLEMODE: CNSMLC3MM  
 MULTIMODE: CNMMLC3MM



FC CONNECTOR, SM/MM, 3.0MM BOOT  
 Part No.:  
 SINGLEMODE: CNSMFC3MM  
 MULTIMODE: CNMMFC3MM



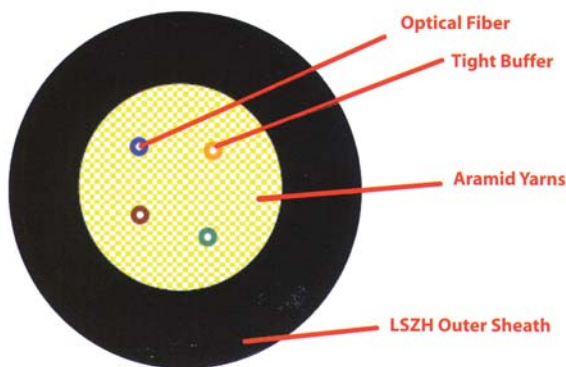
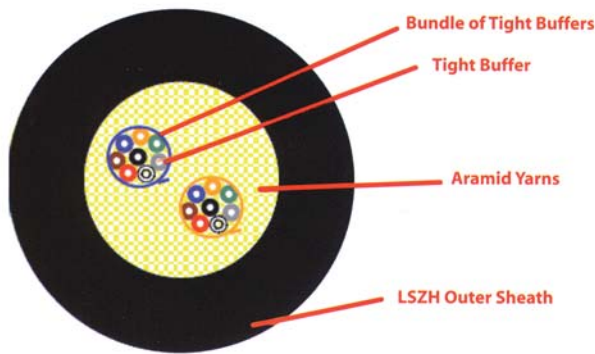
ST CONNECTOR, SM/MM, 3.0MM BOOT  
 Part No.:  
 SINGLEMODE: CNSMST3MM  
 MULTIMODE: CNMMST3MM



SC CONNECTOR, SM/MM, 3.0MM BOOT  
 Part No.:  
 SINGLEMODE: CNSMSC3MM  
 MULTIMODE: CNMMSC3MM



# Tight Buffer Fiber Cable



## FEATURES

Consistency and Flexibility. It can support multiple voice, data, video and multimedia systems 10 Giga-bit applications are run on optimized multimode fiber-optic and can transmit data up to 500 meters without need for node re-interpretation, resulting in greater overall system cost savings.

Ruggedized fiber optic assemblies are designed at requirement for use in the harshest environment such as military use.

Tight buffered cable with a protective coating on single mode/Multimode fiber of 900um creates a strong yet easy to handle/connectorized fiber which can be easily stripped and can be deployed where the fibre needs to be terminated

## Application

Riser /planum rated for high rise buildings, premises with outer sheath choice of HDPE/LSOH/FRLS.

The cables are designed to allow a high degree of flexibility and customization.

Virtually unlimited options can ensure appropriate products for various Data Speeds and Bandwidth requirements.

All fiber types are available, including 50/125  $\mu\text{m}$  - OM2, OM2+, OM3, OM3+, 62.5/125  $\mu\text{m}$  - OM1 and Single mode-OS1

## OPTICAL PROPERTIES - SINGLE-MODE FIBER

PARAMETER	UNIT	9/125/250G. 652D
Attenuation: @ 1310nm	dB/Km	$\leq 0.40$
Cut-off Wavelength	nm	$\leq 1320$
Mode field diameter	$\mu\text{m}$	8.8 – 9.8
Clad diameter	$\mu\text{m}$	$125 \pm 1$
Clad non-circularity	%	$\leq 1$
Core-Clad Concentricity error	$\mu\text{m}$	$\leq 0.8$
Dispersion:		
1270-1340nm	ps/nm.Km	$\leq 3.5$
1285-1330nm	ps/nm.Km	$\leq 5.3$
1550nm	ps/nm.Km	$\leq 18$
Zero dispersion slope	ps/nm <sup>2</sup> .Km	$\leq 0.092$
Zero dispersion wavelength	nm	1300 – 1324
PMD (Individual Fibre)	ps/ $\sqrt{\text{Km}}$	$\leq 0.2$
Coating diameter	$\mu\text{m}$	$245 \pm 10$



## OPTICAL PROPERTIES - MULTI-MODE FIBER

PARAMETER	UNIT	62.5/125/250	50/125/250	50/125/250
		OM1	OM2	OM3
Attenuation: @ 850nm/@1310nm	(dB/Km)	3.5/ 1.5	3.5/ 1.5	3.0/ 1.0
Band Width: @ 850nm/@1300nm	MHz*Km	200/500	500/500	1500/500
Core Diameter	µm	62.5 ± 3	50 ± 3	50 ± 3
Clad Diameter	µm	125 ± 2	125 ± 2	125 ± 2
Clad non-circularity	%	≤ 3	≤ 3	≤ 5
Core-Clad Concentricity error	µm	≤ 3	≤ 3	≤ 3
Coating Diameter	µm	245 ± 10	245 ± 10	245 ± 10

## MECHANICAL PROPERTIES

PARAMETER	UNIT	
Bend Radius:	mm	10*D
Long Term		20*D
Short Term		
Operating Temperature	0C	-20 to +60
Crush load	N	3000
Max. Pulling Load	N	1000

## ORDERING INFORMATION

Part No.	No. of	No. of	Nominal	Nominal
	Fibers	Sub-Units	Cable Diameter(mm)	Cable Weight(Kg/Km)
TL-FOC-04C-XX-TB	4	--	5.2	25
TL-FOC-06C-XX-TB	6	--	5.2	25
TL-FOC-08C-XX-TB	8	--	6.0	32
TL-FOC-12C-XX-TB	12	--	7.0	47
TL-FOC-16C-XX-TB	16	2	8.0	55
TL-FOC-24C-XX-TB	24	2	9.0	64

Replace XX with 09 for Single mode and 62(62.5/125) OR 50(50/125) for Multimode

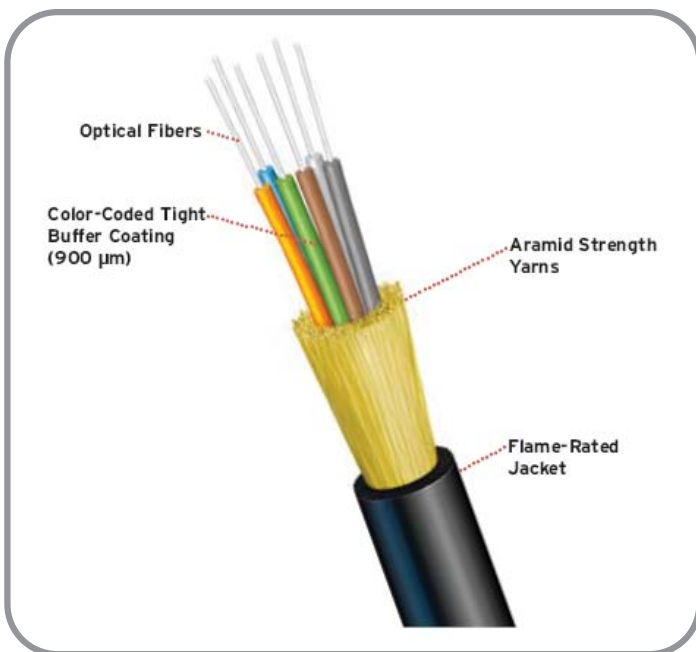
## ORDERING INFORMATION OM3 10GIG

Part No.	No. of	No. of	Nominal	Nominal
	Fibers	Sub-Units	Cable Diameter(mm)	Cable Weight(Kg/Km)
TL-OM3-04C-XX-TB	4	--	5.2	25
TL-OM3-06C-XX-TB	6	--	5.2	25
TL-OM3-08C-XX-TB	8	--	6.0	32
TL-OM3-12C-XX-TB	12	--	7.0	47
TL-OM3-16C-XX-TB	16	2	8.0	55
TL-OM3-24C-XX-TB	24	2	9.0	64

# Tight Buffer Fiber Cable



## E-GLASS STRENGTH CENTRAL LOOSETUBE INDOOR/OUTDOOR OPTIC CABLE



### Application:

For outdoor and indoor use in structured (data) wiring systems such as campus backbone, building backbone (riser) and or horizontal cabling; Support all current and future categories;

Various designs available for installation in ducts, trenches, direct burial in planes and aerial applications in high terrains; Excellent performance in long haul networks.

### Features:

Installation friendly dry/wet interstices; Various Halogen free and all dielectric cables with standard rodent protection; Predicted life time > 25 years.

- Techlogiks Fiber cables are Ruggedized design, available In FRP & Spring steel wire Strength members, We offer Optimized solutions for all Metropolitan access Networks, premise networks And CATV applications.
- Techlogiks fiber Armored & Unarmored cable designs to suit standard and Customized network designs and applications.
- Wide Fiber count range i.e. 2-96F in single tube makes this product unique in terms Of quality, compact design and Cost effectiveness.
- Techlogiks fiber cables are designed with high strength weight ratio. Its compact structure and flexible design ensures easy deployment in less space.
- Low attenuation of high quality fiber drawn from Japanese glass ensures quality of transmission

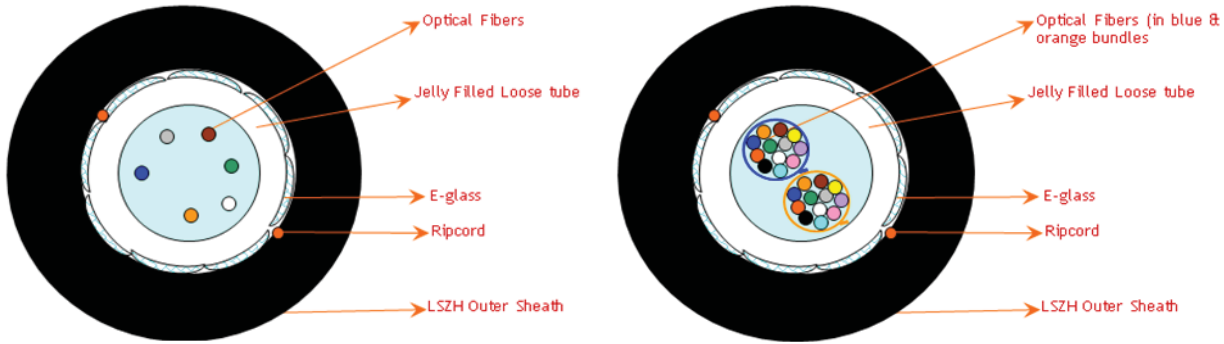
### OPTICAL PROPERTIES - SINGLE-MODE FIBER

PARAMETER	UNIT	9/125/250G. 652D
Attenuation: @ 1310nm/1550nm	dB/Km	≤ 0.38/ 0.25
Cut-off Wavelength	nm	≤ 1320
Mode field diameter	μm	8.8 – 9.8
Clad diameter	μm	125 ± 1
Clad non-circularity	%	≤ 1
Core-Clad Concentricity error	Mm	≤ 0.8
Dispersion:		
1270-1340nm	ps/nm.Km	≤ 3.5
1285-1330nm	ps/nm.Km	≤ 5.3
1550nm	ps/nm.Km	≤ 18
Zero dispersion slope	ps/nm <sup>2</sup> .Km	≤ 0.092
Zero dispersion wavelength	nm	1300 – 1324
PMD (Individual Fibre)	ps/√Km	≤ 0.2
Coating diameter	μm	245 ± 10

## OPTICAL PROPERTIES - MULTI-MODE FIBER

PARAMETER	UNIT	62.5/125/250	50/125/250	50/125/250
		OM1	OM2	OM3
Attenuation: @ 850nm/@1300nm	(dB/Km)	3.5/ 1.5	3.5/ 1.5	3.0/ 1.0
Band Width: @ 850nm/@1300nm	MHz-Km	200/500	500/500	1500/500
Core Diameter	mm	62.5 ± 3	50 ± 3	50 ± 3
Clad Diameter	μm	125 ± 2	125 ± 2	125 ± 2
Clad non-circularity	%	≤ 3	≤ 3	≤ 5
Core-Clad Concentricity error	μm	≤ 3	≤ 3	≤ 3
Coating Diameter	mm	245 ± 10	245 ± 10	245 ± 10

## MECHANICAL PROPERTIES



Component	6 Fiber	24 Fiber
Fiber / Colors	Blue, Orange, Green, Brown, Grey, White	Blue & Orange Bundles of 12 Fibers each (Blue, Orange, Green, Brown, Grey, White, Red, Black, Yellow, Purple, Pink, Aqua)
Mono-tube	Polybutylene Teraphthalate (PBT) 2.8 +/-0.1 mm filled with Thixotropic Jelly	Polybutylene Teraphthalate (PBT) 3.5 +/-0.1 mm filled with Thixotropic Jelly
Tube color	Natural	Natural
Peripheral Strength Members	E-Glass	E-Glass
Outer Sheath	LSZH , 1.4 mm thickness	LSZH , 1.3 mm thickness
Cable Diameter	6.0 + 0.2 mm	6.7 + 0.5 mm
Weight of cable per km	43 kg/km (Nominal)	49 kg/km (Nominal)
Tensile Strength	Long Term: 600N Short Term: 1500N	Long Term: 600N Short Term: 1500N
Crush Load	Long Term: 300N Short Term: 1000N	Long Term: 300N Short Term: 1000N
Bend Radius	Long Term: 10D Short Term: 20D	Long Term: 10D Short Term: 20D
Operation Temperature	-20°C to +60°C	-20°C to +60°C
Storage Temperature	-40°C to +60°C	-40°C to +60°C

## ORDERING INFORMATION - LOOSE TUBE

Part No.	No. of Fibers	No. of Sub-Units	Nominal Cable Diameter(mm)	Nominal Cable Weight(Kg/Km)
TL-FOC-04C-XX-LT	4	--	6.0	43
TL-FOC-06C-XX-LT	6	--	6.0	43
TL-FOC-08C-XX-LT	8	--	6.0	43
TL-FOC-12C-XX-LT	12	--	6.0	43
TL-FOC-16C-XX-LT	16	2	6.0	46
TL-FOC-24C-XX-LT	24	2	6.0	46

Replace XX with 09 for Single mode and 62(62.5/125) OR 50(50/125) for Multimode

Replace FOC with OM3 for OM3 10GIG Cable



## LOOSETUBE ARMORED FIBER OPTIC CABLE



### Application:

For outdoor use in structured (data) wiring systems such as campus backbone, building backbone (riser) and or horizontal cabling; Support all current and future categories;

Various designs available for installation in ducts, trenches, direct burial in planes and aerial applications in high terrains; Excellent performance in long haul networks.

### Features:

Installation friendly dry/wet interstices; Various Halogen free and all dielectric cables with standard rodent protection.

- Techlogiks Armored Loose Tube Fiber cable come in various designs for direct burial, duct & Aerial applications.
- We Offer special Fiber cables with protective features like anti-termite, anti-rodents, anti-tracking and Halogen Free Fire Retardant (HFFR) properties.
- Techlogiks Armored cables come in single mode G652B, G652D and G655 fiber and multimode (OM1,OM2,OM3) Fiber

### OPTICAL PROPERTIES - SINGLE-MODE FIBER

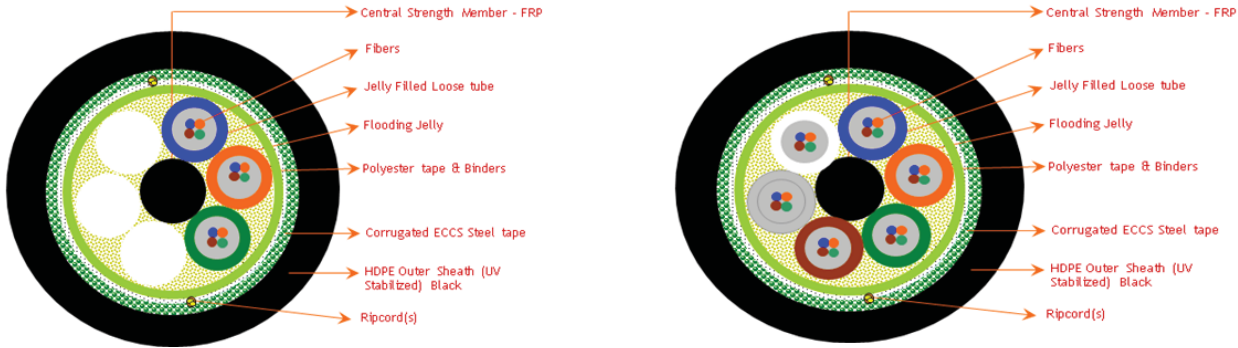
PARAMETER	UNIT	9/125/250G. 652D
Attenuation: @ 1310nm/1550nm	dB/Km	≤ 0.38/ 0.25
Cut-off Wavelength	nm	≤ 1320
Mode field diameter	μm	8.8 – 9.8
Clad diameter	μm	125 ± 1
Clad non-circularity	%	≤ 1
Core-Clad Concentricity error	Mm	≤ 0.8
Dispersion:		
1270-1340nm	ps/nm.Km	≤ 3.5
1285-1330nm	ps/nm.Km	≤ 5.3
1550nm	ps/nm.Km	≤ 18
Zero dispersion slope	ps/nm <sup>2</sup> .Km	≤ 0.092
Zero dispersion wavelength	nm	1300 – 1324
PMD (Individual Fibre)	ps/√Km	≤ 0.2
Coating diameter	μm	245 ± 10



## OPTICAL PROPERTIES - MULTI-MODE FIBER

PARAMETER	UNIT	62.5/125/250	50/125/250	50/125/250
		OM1	OM2	OM3
Attenuation: @ 850nm/@1300nm	(dB/Km)	3.5/ 1.5	3.5/ 1.5	3.0/ 1.0
Band Width: @ 850nm/@1300nm	MHz-Km	200/500	500/500	1500/500
Core Diameter	mm	62.5 ± 3	50 ± 3	50 ± 3
Clad Diameter	μm	125 ± 2	125 ± 2	125 ± 2
Clad non-circularity	%	≤ 3	≤ 3	≤ 5
Core-Clad Concentricity error	μm	≤ 3	≤ 3	≤ 3
Coating Diameter	mm	245 ± 10	245 ± 10	245 ± 10

## MECHANICAL PROPERTIES



Component	Description	Description
Central Strength Member	Fiber Reinforced Plastic 2 + 1mm	Fiber Reinforced Plastic 2 + 1mm
Fiber / Colors	Fibers: Blue, Orange, Green, Brown	Fibers: Blue, Orange, Green, Brown
Loose Tube (12 Nos)	Polybutylene Teraphthalate (PBT) 2 + 0.1 mm filled with Thixotropic Jelly	Polybutylene Teraphthalate (PBT) 2 + 0.1 mm filled with Thixotropic Jelly
Loose Tube color sequence	Blue, Orange, Green & 3 Fillers	Blue, Orange, Green, Brown, Slate, White
Core wrapping	Polyester tape with Binders	Polyester tape with Binders
Water blocking compound	Flooding Jelly, Water expandable Jelly	Flooding Jelly, Water expandable Jelly
Armoring	Copolymer coated ECCS tape	Copolymer coated ECCS tape
Outer Sheath	UV Stabilized, HDPE (1.5 mm minimum) Black	UV Stabilized, HDPE (1.5 mm minimum) Black
Overall cable diameter	11 + 0.5 mm	11 + 0.5 mm

## ORDERING INFORMATION - LOOSE TUBE ARMORED

Part No.	No. of Fibers	No. of Sub-Units	Nominal Cable Diameter(mm)	Nominal Cable Weight(Kg/Km)
TL-FOC-04C-XX-AR	4	--	8.3	90
TL-FOC-06C-XX-AR	6	--	8.3	90
TL-FOC-08C-XX-AR	8	--	8.3	90
TL-FOC-12C-XX-AR	12	--	8.3	90
TL-FOC-16C-XX-AR	16	2	8.5	95
TL-FOC-24C-XX-AR	24	2	8.5	95

Replace XX with 09 for Single mode and 62(62.5/125) OR 50(50/125) for Multimode

Replace FOC with OM3 for OM3 10GIG Cable

# Loose Tube Armored Cable



**WALL MOUNT PATCH-PANEL**

## PRODUCT SPECIFICATION

Wall Mountable Unit  
 Fiber panel Unloaded  
 Can be loaded with ST, SC, LC, MT RJ, FC-PC Adapters  
 Bend radius controllers are mounted to maintain optimal bend radius

## ORDERING INFORMATION

Part No.	Description	Ports
FPWM12XX	Fiber Panel UnLoaded	12Port
FPWM24XX	Fiber Panel UnLoaded	24Port
FPWM36XX	Fiber Panel UnLoaded	36Port
FPWM48XX	Fiber Panel UnLoaded	48Port

*Replace XX with BL for Black GY for Gray*



**RACK MOUNT PATCH-PANEL**

## PRODUCT SPECIFICATION

Standard 19" Rack Mount Size  
 Fiber patch-panels Unloaded  
 Bend radius controllers are mounted to maintain optimal bend radius  
 Can be loaded with ST, SC, LC, MT RJ, FC-PC Adapters adapters  
 High efficiency

## ORDERING INFORMATION

Part No.	Description	Ports
FPRM1UXX	Fiber Panel Unloaded 1U	12/24
FPRM2UXX	Fiber Panel Unloaded 2U	36/48

*Replace XX with BL for Black GY for Gray*



**ADAPTOR PANEL**

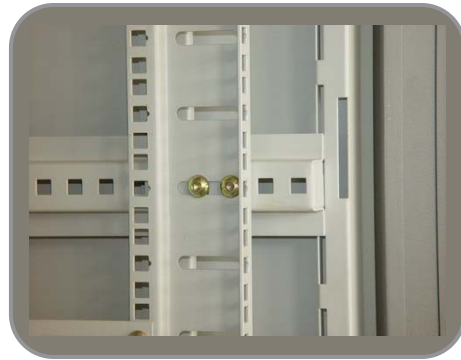
## PRODUCT SPECIFICATION

Adaptor Panels are used with Techlogiks Modular Fiber Adaptors to give required Patch Panel Combinations.  
 Comes in 6xSimplex Adaptors or 3xDuplex Adaptors

## ORDERING INFORMATION

Part No.	Description
SPADXX	Adaptor Panel for 6xSimplex Fiber Adaptors
DPADXX	Adaptor Panel for 3xDuplex Fiber Adaptors
DPADBLXX	Blank Adaptor Panel

*Replace XX with BL for Black GY for Gray*



# Network Cabinets

## Standards:

Comply with ANSI/EIA RS-310-D、IEC297-2、DIN41491;  
PART1 DIN41494; PART7, GB/T3047.2- 92 & ETSI standard

## Features:

Exquisite design with precise dimension and craftsmanship; Toughened glass front door with door border and steel rear door; Adjustable feet and heavy duty castors are available at the same time; Several lockable cable entry on top cover and bottom panel with adjustable sizes; Optional plinth enables cabinet to stay in a fixed position, meeting requirements of under-base cable entry/ventilation and prevention; Efficient cabinet baying kit (patent) Removable side panels, easy to install and maintain; Around 1/2 ~ 2/3 of original assembled volume when flat pack

### LOADING CAPACITY

Static loading: 500KG

### DEGREE OF PROTECTION

IP20

### MATERIAL

SPCC cold rolled steel ;  
Thickness: Mounting profile: 2.0mm,  
Mounting angle: 1.5mm; others: 1.2mm

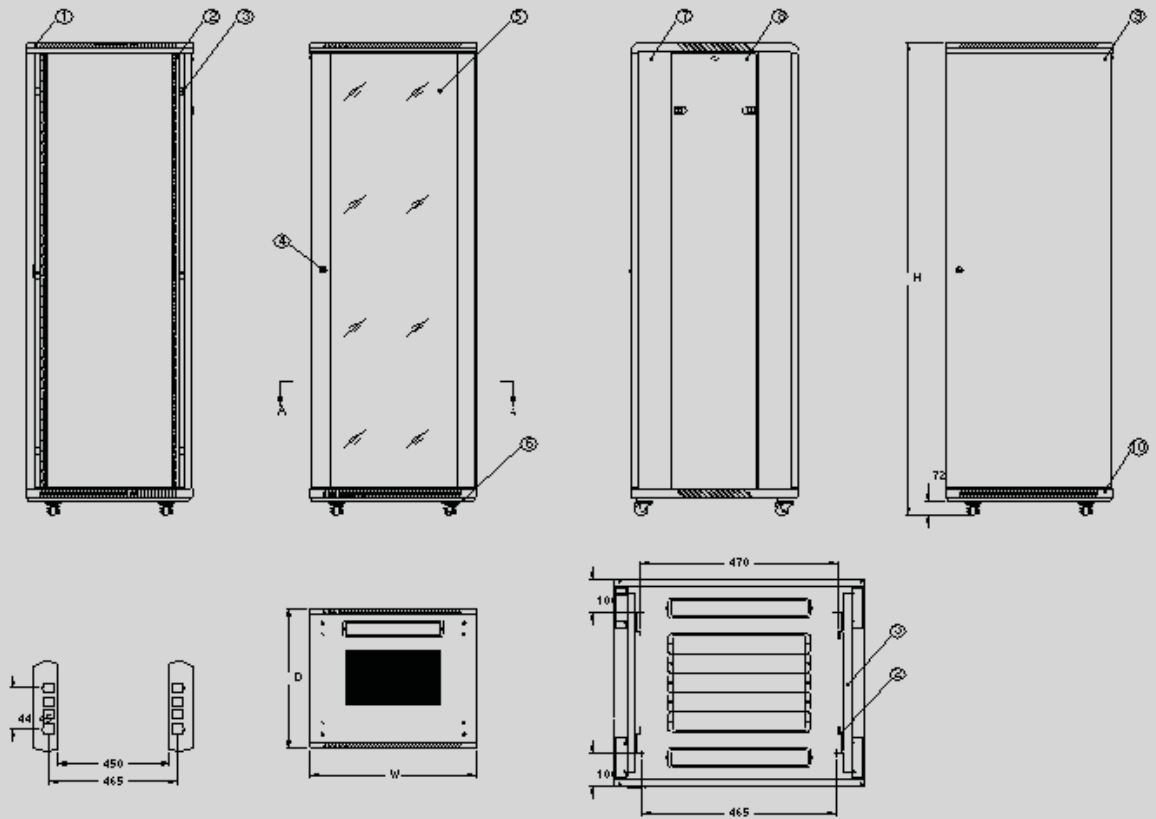
### SURFACE FINISH

Degreasing, pickling,  
phosphoric powder coated





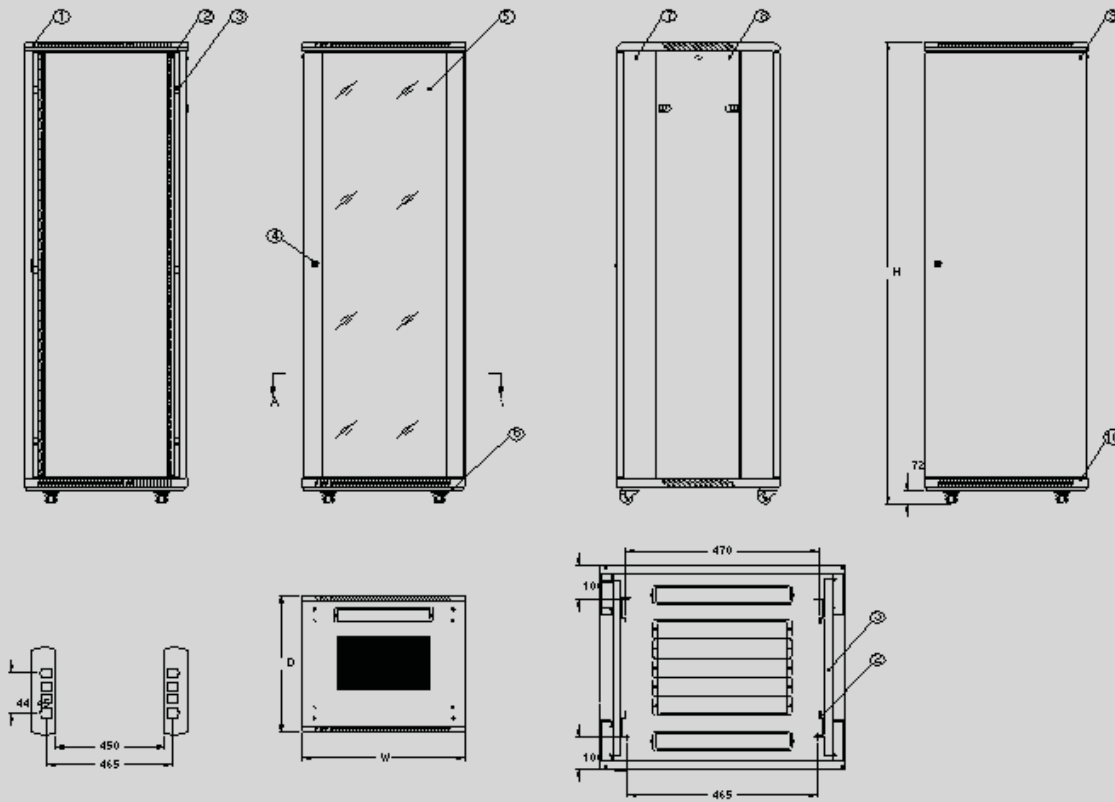
# Network Cabinets



## 600MM WIDE CABINETS

S/N	Specification	Quantity	Unit	Material	Surface Finish	Remark
1	Top cover	1	Piece	SPCC cold rolled steel t1.2	Powder coated	---
2	Mounting profile	4	Piece	SPCC cold rolled steel t2.0	Powder coated	---
3	Mounting angle	6	Piece	SPCC cold rolled steel t1.5	Powder coated	4pcs for lower 32U
4	Small round lock	2	Piece	---	Nickel coated	With 4 keys
5	Toughened glass front door	1	Piece	Toughened glass/ SPCCt1.2	Powder coated	---
6	2" heavy duty castor	4	Piece	---	---	---
7	Frame	2	Piece	SPCC cold rolled steel t1.2	Powder coated	---
8	Side panel	2	Piece	SPCC cold rolled steel t1.2	Powder coated	---
9	Steel rear door	1	Piece	SPCC cold rolled steel t1.2	Powder coated	---
10	Bottom panel	1	Piece	SPCC cold rolled steel t1.2	Powder coated	---
11	M6 B-head screw	20	Piece	Steel	Color Zinc	40pcs for over 32U
12	M6 square nut	20	Piece	Steel	Color Zinc	40pcs for over 32U
13	Allen wrench	1	Piece	Steel	Black	---
14	M12 adjustable feet	4	Piece	---	---	---

# Network Cabinets



## 800MM WIDE CABINETS

S/N	Specification	Quantity	Unit	Material	Surface Finish	Remark
1	Top cover	1	Piece	SPCC Cold rolled steel t1.2	Powder coated	---
2	Mounting profile	4	Piece	SPCC Cold rolled steel t2.0	Powder coated	---
3	Mounting angle	6	Piece	SPCC Cold rolled steel t1.5	Powder coated	4pcs for lower 32U
4	Cable management slot	2	Piece	SPCC Cold rolled steel t0.8	Powder coated	---
5	Small round lock	2	Piece	---	Nickel coated	With 4 keys
6	Toughened glass front door	1	Piece	Toughened glass/ SPCC t1.2	Powder coated	---
7	2" heavy duty castor	4	Piece	---	---	---
8	Frame	2	Piece	SPCC cold rolled steel t1.2	Powder coated	---
9	Side panel	2	Piece	SPCC cold rolled steel t1.2	Powder coated	---
10	Steel rear door	1	Piece	SPCC cold rolled steel t1.2	Powder coated	---
11	Bottom panel	1	Piece	SPCC cold rolled steel t1.2	Powder coated	---
12	Spacer	12	Piece	SPCC cold rolled steel t2.0	Powder coated	8pcs for lower 32U
13	M6 B-head screw	20	Piece	Steel	Color Zinc	---
14	M6 square nut	20	Piece	Steel	Color Zinc	40pcs for over 32U
15	Allen wrench	1	Piece	Steel	Black	40pcs for over 32U
16	M12 adjustable feet	4	Piece	---	---	---

# Network Cabinets

## ORDERING INFORMATION

Model No.	Capacity( U )	Width (mm)	Depth (mm)	Height (mm)	Dimension W*D*H	Volume (CBM)
FS18.66.XX	18	600	600	988	670*670*1028	0.4615
FS18.68.XX			800		670*870*1028	0.5992
FS18.69.XX			900		670*970*1028	0.6681
FS18.610.XX			960		670*1030*1028	0.7094
FS22.66.XX	22	600	600	1166	670*670*1196	0.5369
FS22.68.XX			800		670*870*1196	0.6971
FS22.69.XX			900		670*970*1196	0.7774
FS22.610.XX			960		670*1030*1196	0.8254
FS27.66.XX	27	600	600	1388	670*670*1418	0.6460
FS27.68.XX			800		670*870*1418	0.8266
FS27.69.XX			900		670*970*1418	0.9216
FS27.610.XX			960		670*1030*1418	0.9786
FS32.66.XX	32	600	600	1610	670*670*1640	0.7362
FS32.68.XX			800		670*870*1640	0.9560
FS32.69.XX			900		670*970*1640	1.0658
FS32.610.XX			960		670*1030*1640	1.1318
FS37.66.XX	37	600	600	1833	670*670*1863	0.8363
FS37.68.XX			800		670*870*1863	1.0859
FS37.69.XX			900		670*970*1863	1.2108
FS37.610.XX			960		670*1030*1863	1.2857
FS42.66.XX	42	600	600	2055	670*670*2085	0.9360
FS42.68.XX			800		670*870*2085	1.2153
FS42.69.XX			900		670*970*2085	1.3550
FS42.610.XX			960		670*1030*2085	1.4389
FS42.86.XX		800	600		870*670*2085	1.2513
FS42.88.XX			800		870*870*2085	1.5781
FS42.89.XX			900		870*970*2085	1.7595
FS42.810.XX			960		870*1030*2085	1.8684
FS47.66.XX	47	600	600	2277	670*670*2307	1.0356
FS47.68.XX			800		670*870*2307	1.3448
FS47.69.XX			900		670*970*2307	1.4993
FS47.610.XX			960		670*1030*2307	1.5921
FS47.86.XX		800	600		870*670*2307	1.3448
FS47.88.XX			800		870*870*2307	1.7462
FS47.89.XX			900		870*970*2307	1.9469
FS47.810.XX			960		870*1030*2307	2.0673

## COLOR OPTIONS

Model No.	Color
FSXX.XXX.0	Front door border: RAL7039, others: RAL7044
FSXX.XXX.1	RAL9004
FSXX.XXX.2	RAL7044

## FRONT DOOR TYPE OPTIONS

Model No.	Features
FSXX.XXX.00	Toughened glass door
FSXX.XXX.01	Toughened glass door with vented door border
FSXX.XXX.02	Metal front door

**CABINET  
COLORS**







**Mounting profiles**



**Metal cable ring**



**Welded frame**



**Double rear door**



**Standards:**

IComplies with ANSI/EIA RS-310-D, IEC297-2, DIN41494; PART1, DIN41494; PART7 Standards

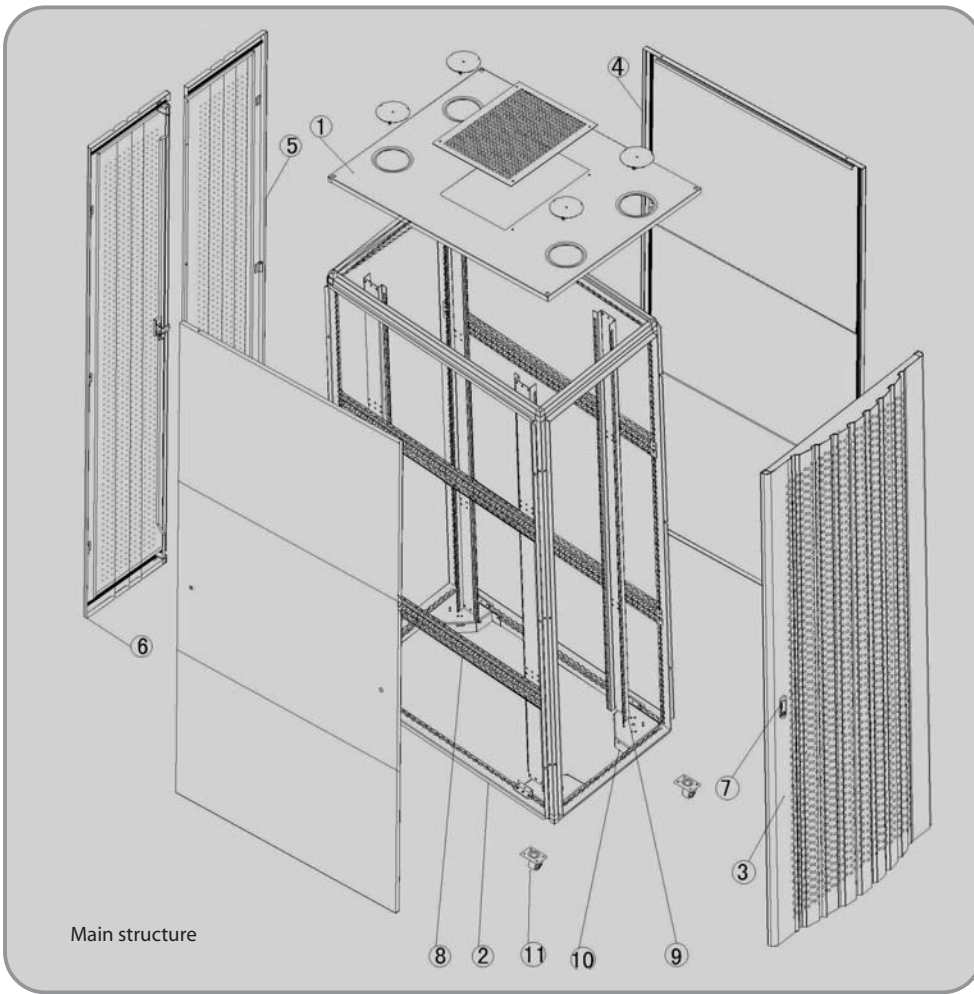
**Features:**

- Welded frame for Stability and safety
- 19" standard installation with adjustable dimension
- Designed with high standard craftsmanship and precision measurement
- Vented, Metal front door & rear doors enable Ventilation up-to 60%
- Turning angle above 120 degrees
- Bottom Cable Entry.
- Removable Side doors with locks (optional)
- Advanced locking system
- Static loading: 1000KG
- Protection to IP20
- SPCC cold rolled steel
- Thickness of Steel: mounting profile: 2.0mm; mounting angle: 1.5mm; others: 1.2mm
- Optional accessories – Fan-tray, Shelves, Castors, Digital thermometer, PDU Etc.

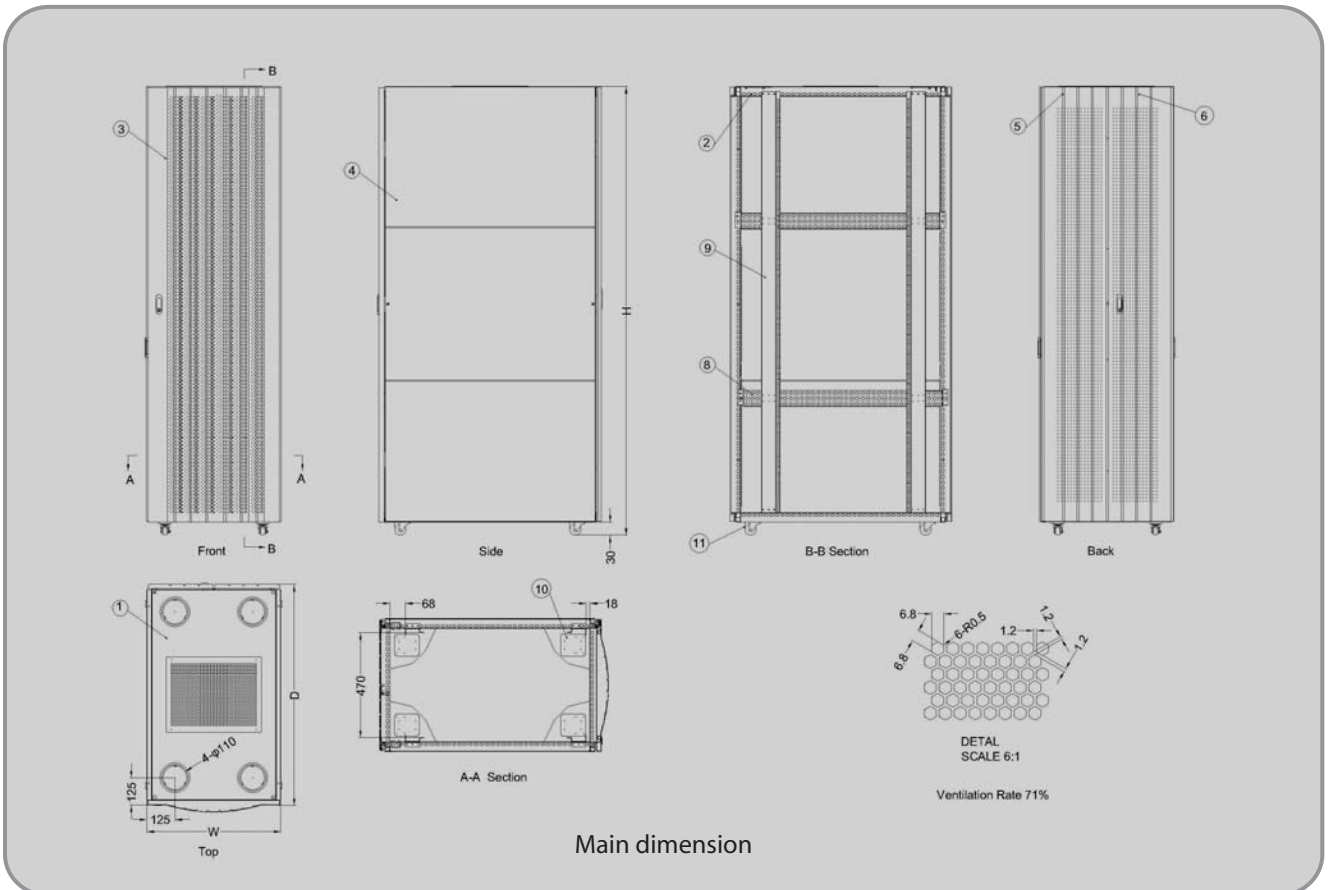
# Server Cabinets



# Server Cabinets

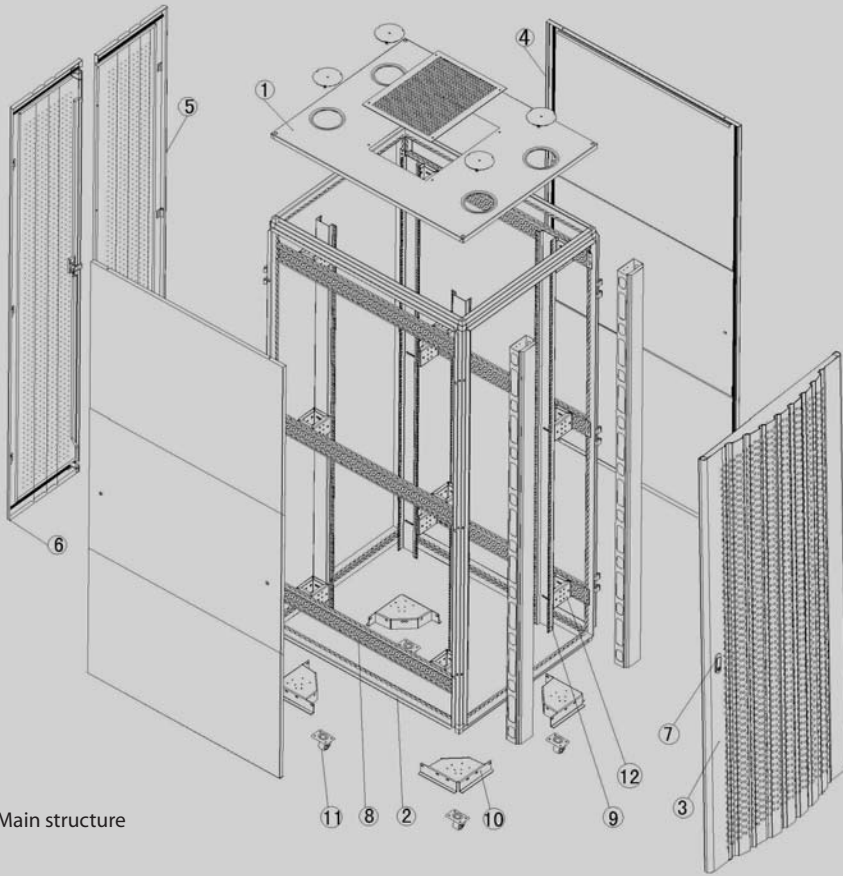


1. Top cover
2. Frame
3. Front door
4. Side panel
5. Left rear door
6. Right rear door
7. Door lock
8. Mounting angle
9. Mounting profile
10. Tray
11. Heavy duty castor





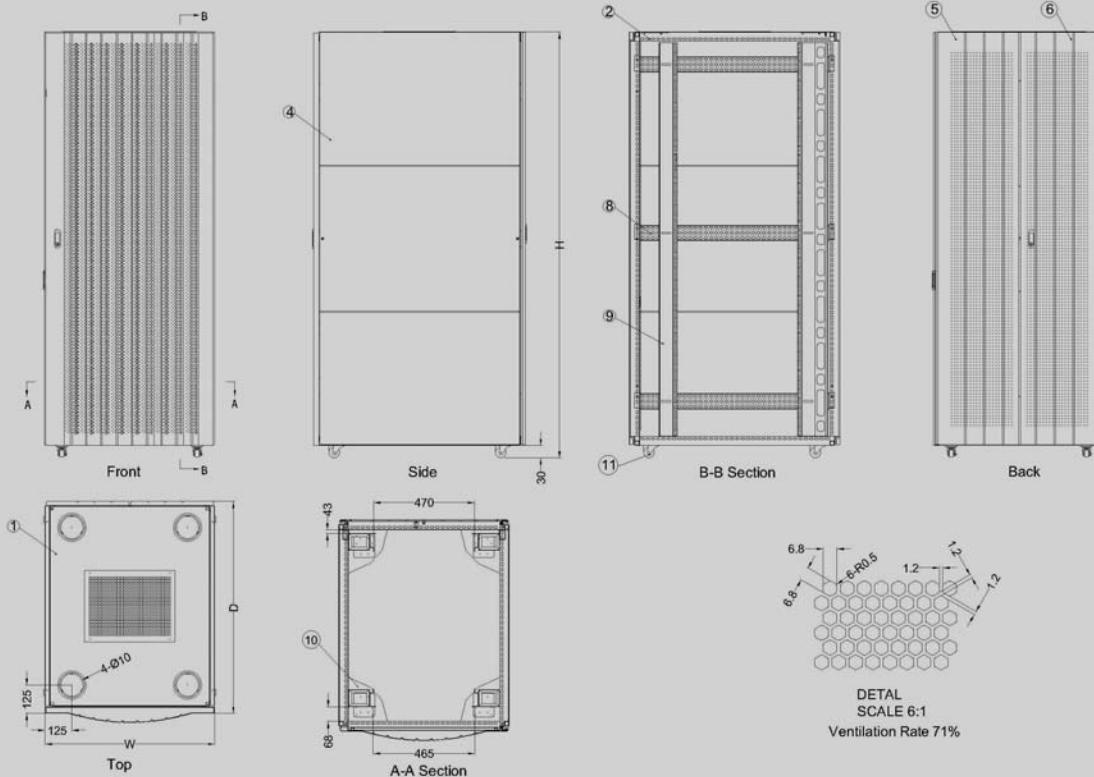
# Server Cabinets



Main structure

1. Top cover
2. Frame
3. Front door
4. Side panel
5. Left rear door
6. Right rear door
7. Advanced moon-shape lock
8. Mounting angle
9. Mounting profile
10. Tray
11. Heavy duty castor
12. Spacer (optional)

Main dimension





# Server Cabinets

## MAIN PARTS

S/N	Specification	Quantity	Unit	Material	Surface finish	Remark
1	Top cover	1	Piece	SPCC Cold rolled steel t1.2	Powder coated	---
2	Frame	1	Set	SPCC Cold rolled steel t1.5	Powder coated	---
3	Front door	1	Piece	SPCC Cold rolled steel t1.2	Powder coated	Single section vented door
4	Side panel	2	Piece	SPCC Cold rolled steel t1.2	Powder coated	Steel door with lock
5	Left rear door	1	Piece	SPCC Cold rolled steel t1.2	Powder coated	Vented door
6	Right rear door	1	Piece	SPCC Cold rolled steel t1.2	Powder coated	Vented door
7	Advanced moon-shape lock	6	Piece	---	---	With 12 keys
8	Mounting angle <sup>①</sup>	4	Piece	SPCC Cold rolled steel t1.5	Powder coated	---
9	Mounting profile	4	Piece	SPCC Cold rolled steel t2.0	Powder coated	---
10	Tray	4	Piece	SPCC Cold rolled steel t2.5	Powder coated	---
11	2" heavy duty castor	4	Piece	---	---	---
12	Spacer <sup>②</sup>	8/12	Piece	Steel	Powder coated	Only for 800mm width KB
13	M12 adjustable feet	4	Piece	Steel	Black	---
14	Metal cable ring	6	Piece	Steel	Powder coated	---

Accessories: <sup>①</sup>Width 600mm and lower 32U cabinets with 2pcs mounting angles, width 800mm and above 32U cabinets with 6pcs mounting angles Width 800mm and lower 32U (including 32U) cabinets with 4pcs mounting angles  
<sup>②</sup>Width 800mm and above 32U cabinets with 12 spacer.

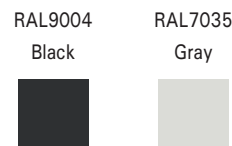
## SPECIFICATION:

Model No.	Capacity (U)	Width (mm)	Depth (mm)	Height (mm)	Packing Dimension W*D*H	Volume (CBM)
TS.6622.XX	22	600	600	1099	670*670*1120	0.5028
TS.6822.XX			800		670*870*1120	0.6528
TS.6022.XX			1000		670*1070*1120	0.8029
TS.6627.XX	27	600	600	1349	670*670*1370	0.6150
TS.6827.XX			800		670*870*1370	0.7986
TS.6632.XX			1000		670*1070*1370	0.9822
TS.6832.XX	32	600	600	1549	670*670*1570	0.7048
TS.6032.XX			800		670*870*1570	0.9152
TS.6637.XX			1000		670*1070*1570	1.1255
TS.6837.XX	37	600	600	1774	670*670*1795	0.8058
TS.6037.XX			800		670*870*1795	1.0463
TS.6642.XX			1000		670*1070*1795	1.2868
TS.6842.XX	42	600	600	1999	670*670*2020	0.9068
TS.6042.XX			800		670*870*2020	1.1775
TS.6242.XX			1000		670*1070*2020	1.4481
TS.8842.XX			1200		670*1270*2020	1.7188
TS.8842.XX		800	600		870*670*2020	1.1775
TS.8042.XX			800		870*870*2020	1.5289
TS.6647.XX			1000		870*1070*2020	1.8804
TS.6847.XX	47	600	600	2221	670*670*2240	1.0055
TS.6047.XX			800		670*870*2240	1.3057
			1000		670*1070*2240	1.6059

## COLOR SELECTOR:

Model No.	Color	
TS.XXXX.01	RAL9004	Black
TS.XXXX.02	RAL7035	Gray

## COLOR:



## SINGLE SECTION



### Standard:

Comply with ANSI/EIA RS-310-D,  
DIN41497 part 1, IEC297-2, DIN41494 part 7,  
GB/T3047.2-92 standard

### Features

Welded frame, reliable structure;  
Standing or wall mounting installation.  
Adjustable feet and heavy duty castors are optional  
Patented easy mounting installation.  
19" standard installation  
Removable side panels, side locks optional;  
Cable entry on both of top cover and bottom panel;  
120mm fan available.  
Turning angle of front door is over 180 degrees

### Loading Capacity:

60KGS

Degree of Protection:  
IP20

### Material:

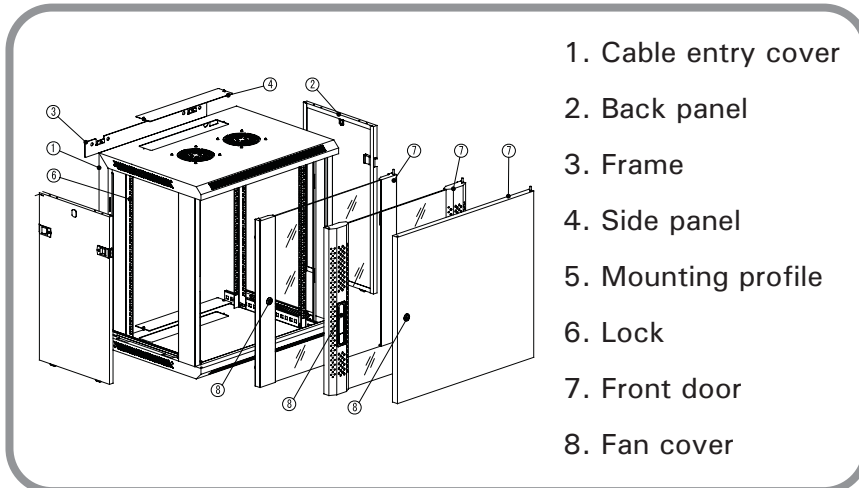
SPCC Cold Rolled Steel  
Thickness:

### Mounting profile:

1.5mm; others: 1.2mm

### Surface Finish:

Degreasing, pickling,  
phosphoric, powder coated



# Wall Mount Cabinets



# Wall Mount Cabinets

S/N	Specification	Quantity	Unit	Material	Surface finish	Remark
1	Frame	1	Set	SPCC Cold rolled steel t1.2	Powder coated	---
2	Side panel	2	Piece	SPCC Cold rolled steel t1.2	Powder coated	---
3	Mounting panel	1	Piece	SPCC Cold rolled steel t1.2	Powder coated	---
4	Cable entry cover	2	Piece	SPCC Cold rolled steel t1.2	Powder coated	---
5	Fan cover	2	Piece	SPCC Cold rolled steel t1.2	Powder coated	---
6	Mounting profile	4	Piece	SPCC Cold rolled steel t1.5	Powder coated	---
7	Front door①	1	Piece	5MM toughened glass door/ SPCct1.2	Powder coated	---
8	Lock②	1	Piece	---	---	With 2 keys
9	M6 Square nut	10	Piece	Steel	Color zinc	20pcs for over 12U
10	M6 B-head screw	10	Piece	Steel	Color zinc	20pcs for over 12U
11	Allen wrench	1	Piece	Steel	Black	---

## ORDERING INFORMATION

Model No.	Capacity (U)	Width (mm)	Depth (mm)	Height (mm)	Packing Dimension W*D*H	Volume (CBM)
WM06USS450	6	600	450	368	670*520*430	0.1498
WM06USS600			600		670*670*430	0.1930
WM09USS450	9	600	450	501	670*520*560	0.1951
WM09USS600			600		670*670*560	0.2513
WM12USS450	12	600	450	635	670*520*695	0.2421
WM12USS600			600		670*670*695	0.3106
WM15USS450	15	600	450	769	670*520*830	0.2888
WM15USS600			600		670*670*830	0.3725
WM18USS450	18	600	450	901	670*520*960	0.3344
WM18USS600			600		670*670*960	0.4309
WM22USS450	22	600	450	1082	670*520*1140	0.3971
WM22USS600			600		670*670*1140	0.5117
WM27USS450	27	600	450	1304	670*520*1365	0.4755
WM27USS600			600		670*670*1365	0.6127

## COLOR OPTIONS

Model No.	Color
WMXXXXXXXX.0	RAL7039
WMXXXXXXXX.1	RAL9004
WMXXXXXXXX.2	RAL7044

### CABINET COLORS



RAL9004



RAL7044



RAL7039





## DOUBLE SECTION



### Standard:

Comply with ANSI/EIA RS-310-D,  
DIN41497 part 1, IEC297-2,  
DIN41494 part 7, GB/T3047.2-92 standard

### Features

Double section welded frame structure;  
Easy operation and maintaining at the back;  
19" standard installation  
Removable side panels, side locks are optional,  
easy installing and maintaining  
Cable entry at the top cover and bottom panel;  
120mm fan optional  
Turning angle of front door is above 180 degrees  
Turning angle of rear door is above 180 degrees

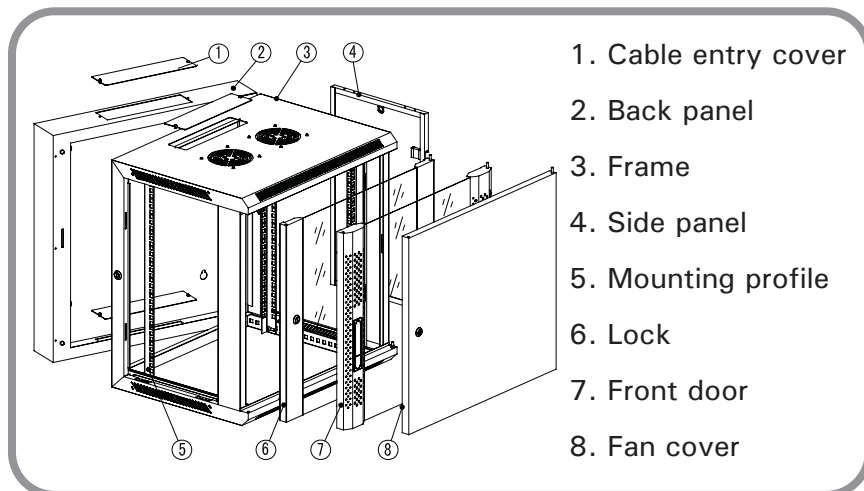
**Loading Capacity:**  
60KGS

**IP Rating:**  
IP20

**Material:**  
SPCC Cold Rolled Steel

**Thickness:**  
Mounting profile  
1.5mm; others: 1.2mm

**Surface Finish:**  
Degreasing, pickling,  
phosphoric,  
powder coated



# Wall Mount Cabinets



# Wall Mount Cabinets

S/N	Specification	Quantity	Unit	Material	Surface Finish	Remark
1	Cable entry cover	3	Piece	SPCC Cold rolled steel t1.2	Powder coated	---
2	Back panel	1	Piece	SPCC Cold rolled steel t1.2	Powder coated	---
3	Frame	1	Set	SPCC Cold rolled steel t1.2	Powder coated	---
4	Side panel	2	Piece	SPCC Cold rolled steel t1.2	Powder coated	---
5	Mounting profile	4	Piece	SPCC Cold rolled steel t1.5	Powder coated	---
6	Lock①	2	Piece	---	---	With 4 keys
7	Front door②	1	Piece	5MM toughened glass door/SPCC t1.2	Powder coated	---
8	Fan cover	2	Piece	SPCC Cold rolled steel t1.2	Powder coated	---
9	M6 square nut	10	Piece	Steel	Color zinc	20pcs for over 12U
10	M6 B-head screw	10	Piece	Steel	Color zinc	20pcs for over 12U
11	Allen wrench	1	Piece	Steel	Black	---

## ORDERING INFORMATION

Model No.	Capacity (U)	Width (mm)	Depth (mm)	Height (mm)	Packing Dimension W*D*H	Volume (CBM)
WM06UDS550	6			368	670*620*430	0.1786
WM09UDS550	9			501	670*620*560	0.2326
WM12UDS550	12			635	670*620*695	0.2887
WM15UDS550	15	600	550	769	670*620*830	0.3447
WM18UDS550	18			901	670*620*960	0.3987
WM22UDS550	22			1082	670*620*1140	0.4736
WM27UDS550	27			1304	670*620*1365	0.5670
WM06UDS600	6			368	670*670*430	0.1930
WM09UDS600	9			501	670*670*560	0.2513
WM12UDS600	12	600	600	635	670*670*695	0.3106
WM15UDS600	15			769	670*670*830	0.3725
WM18UDS600	18			901	670*670*960	0.4309
WM22UDS600	22			1082	670*670*1140	0.5117
WM27UDS600	27			1304	670*670*1365	0.6127

## COLOR OPTIONS

Model No.	Color
WMXXXXXXXX.0	RAL7039
WMXXXXXXXX.1	RAL9004
WMXXXXXXXX.2	RAL7044

### CABINET COLORS



RAL9004



RAL7044



RAL7039





#### Features:

Complies with IEC60529, EN60529/10.91 and GB4208-93

#### Standard: IP55

- Strong and stable profile bar with prepared mounting holes (integrated size: 25mm);
- Stable structure, exquisite image, spacious inner mounting space,
- Three point bolted door lock,
- Side and Back panels fixed by screws;
- Door can be opened to 130 degrees, opens to left or right.
- For Better sealing results, Polyurethane Gasket between door and Frame
- Three sectional bottom panel for easier cable entry.
- Earthing Kit mounted on the body, door and the mounting panel;
- Adjustable Mounting Panels
- SPCC cold rolled steel
- Thickness: mounting panel: 2.5mm, front door: 2.0mm; frame: 1.5mm; others: 1.2mm

#### Finish:

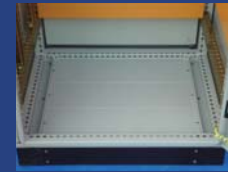
- Enclosure, frame & doors:  
Degreasing, pickling, phosphoric, powder coated, static powered with textured stove enamel RAL7032.
- Mounting panel ( SPCC cold rolled steel):  
Degreasing, pickling, phosphoric, powder coated, static powdered with flat coating RAL2000.

#### Use:

- Useful for mounting various industrial components,



Polyurethane Gasket & earthing kit



3-sectioned bottom panel



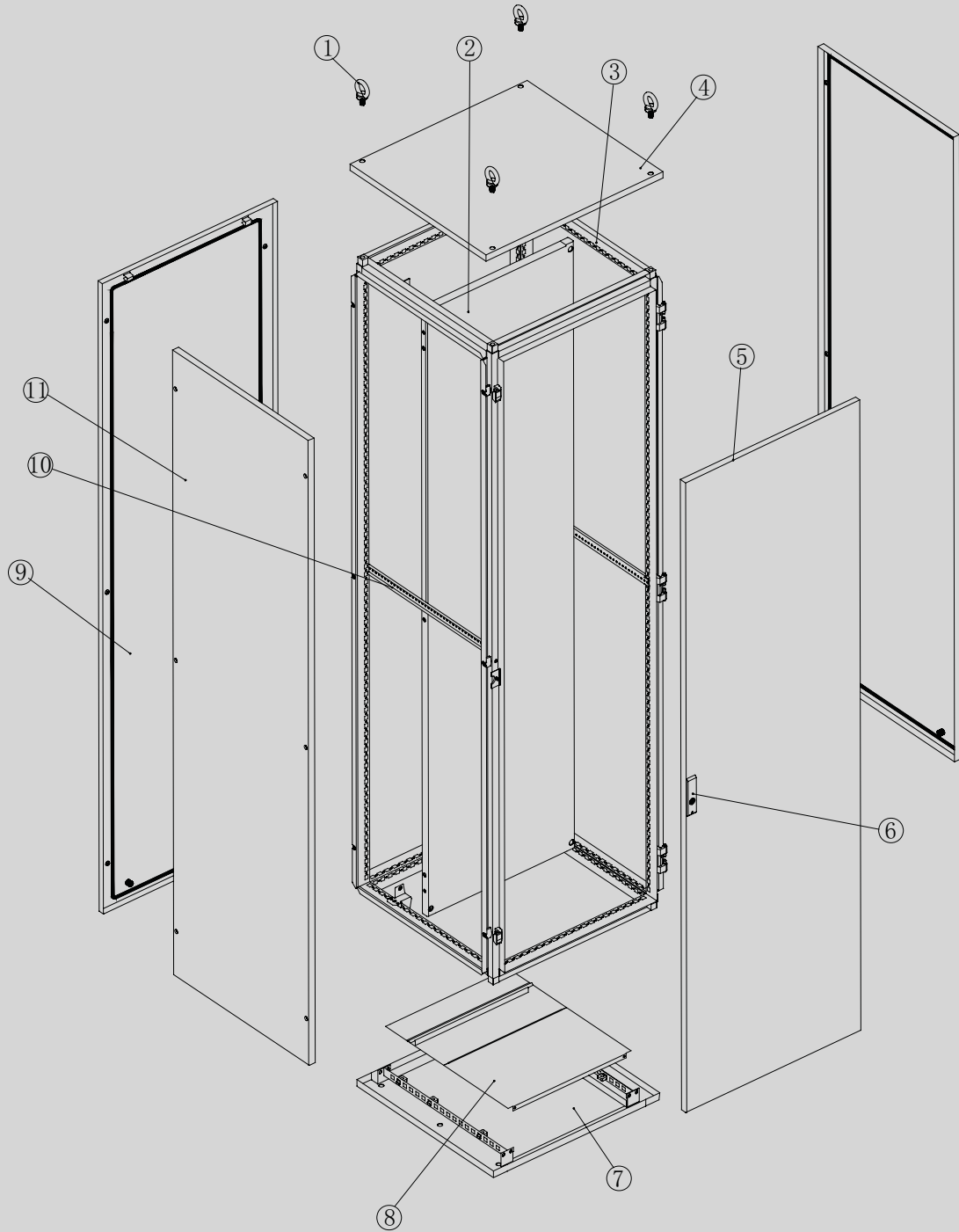
Data pocket (optional)



Various horizontal Mounting angles

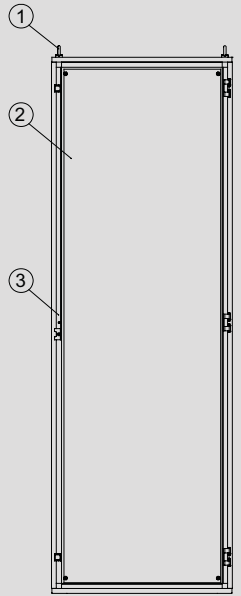


# Industrial Enclosures

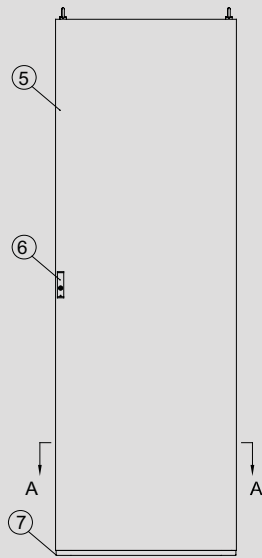


- |                   |                             |
|-------------------|-----------------------------|
| 1. Eye bolts      | 6. Lock                     |
| 2. Mounting panel | 7. Bottom panel             |
| 3. Frame          | 8. 3-sectioned bottom panel |
| 4. Top cover      | 9. Back panel               |
| 5. Front door     | 10. Mounting angle          |
|                   | 11. Side panel (optional)   |





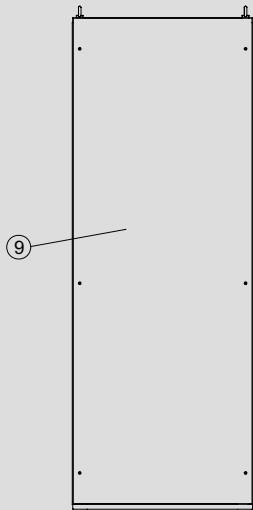
Front(without front door)



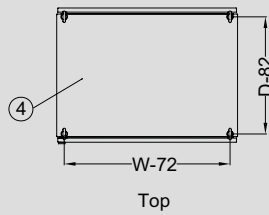
Front



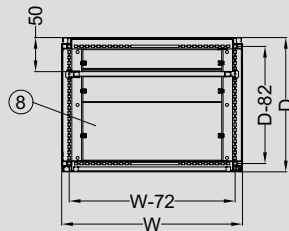
Side



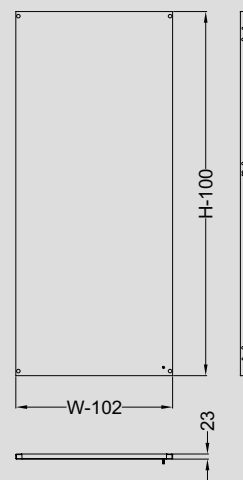
Back



Top



A-A Section



Dimension of mounting panel

S/N	Specification	Quantity	Unit	Material	Surface Finish	Remark
1	Eye bolt	4	Piece	Steel	Color Zinc	---
2	Mounting panel	1	Piece	SPCC cold rolled steel t2.5	Powder coated	---
3	Frame	1	Set	SPCC cold rolled steel t1.5	Powder coated	---
4	Top cover	1	Piece	SPCC cold rolled steel t1.2	Powder coated	---
5	Front door <sup>①</sup>	1	Piece	SPCC cold rolled steel t2.0	Powder coated	Single-section front door
6	Lock	1	Piece	---	---	With 1 key
7	Bottom panel	1	Piece	SPCC cold rolled steel t1.2	Powder coated	---
8	3-sectioned bottom panel	1	Set	SPCC cold rolled steel t1.2	Powder coated	---
9	Back panel	1	Piece	SPCC cold rolled steel t1.5	Powder coated	---
10	Mounting angle	2	Piece	SPCC cold rolled steel t2.0	Powder coated	---

Remarks: ① Width over 1000MM enclosures is with double-section front door.

# Industrial Enclosures

## SPECIFICATION:

Model No.	Width (mm)	Depth (mm)	Height (mm)	Packing Dimension W*D*H	Volume (CBM)
TO.6418.XX	600	400	1800	670*470*1830	0.5763
TO.6420.XX			2000	670*470*2030	0.6392
TO.6422.XX			2200	670*470*2230	0.7022
TO.8418.XX	800	400	1800	870*470*1830	0.7483
TO.8420.XX			2000	870*470*2030	0.8301
TO.8422.XX			2200	870*470*2230	0.9118
TO.0418.XX	1000	400	1800	1070*470*1830	0.9203
TO.0420.XX			2000	1070*470*2030	1.0209
TO.0422.XX			2200	1070*470*2230	1.1215
TO.2418.XX	1200	400	1800	1270*470*1830	1.0923
TO.2420.XX			2000	1270*470*2030	1.2117
TO.2422.XX			2200	1270*470*2230	1.3311
TO.6518.XX	600	500	1800	670*570*1830	0.6989
TO.6520.XX			2000	670*570*2030	0.7753
TO.6522.XX			2200	670*570*2230	0.8516
TO.8518.XX	800	500	1800	870*570*1830	0.9075
TO.8520.XX			2000	870*570*2030	1.0067
TO.8522.XX			2200	870*570*2230	1.1059
TO.0518.XX	1000	500	1800	1070*570*1830	1.1161
TO.0520.XX			2000	1070*570*2030	1.2381
TO.0522.XX			2200	1070*570*2230	1.3601
TO.2518.XX	1200	500	1800	1270*570*1830	1.3247
TO.2520.XX			2000	1270*570*2030	1.4695
TO.2522.XX			2200	1270*570*2230	1.6143
TO.6618.XX	600	600	1800	670*670*1830	0.8215
TO.6620.XX			2000	670*670*2030	0.9113
TO.6622.XX			2200	670*670*2230	1.0010
TO.8618.XX	800	600	1800	870*670*1830	1.0667
TO.8620.XX			2000	870*670*2030	1.1833
TO.8622.XX			2200	870*670*2230	1.2999
TO.0618.XX	1000	600	1800	1070*670*1830	1.3119
TO.0620.XX			2000	1070*670*2030	1.4553
TO.0622.XX			2200	1070*670*2230	1.5987
TO.2618.XX	1200	600	1800	1270*670*1830	1.5571
TO.2620.XX			2000	1270*670*2030	1.7273
TO.2622.XX			2200	1270*670*2230	1.8975
TO.6818.XX	600	800	1800	670*870*1830	1.0667
TO.6820.XX			2000	670*870*2030	1.1833
TO.6822.XX			2200	670*870*2230	1.2999
TO.8818.XX	800	800	1800	870*870*1830	1.3851
TO.8820.XX			2000	870*870*2030	1.5365
TO.8822.XX			2200	870*870*2230	1.6879
TO.0818.XX	1000	800	1800	1070*870*1830	1.7035
TO.0820.XX			2000	1070*870*2030	1.8897
TO.0822.XX			2200	1070*870*2230	2.0759
TO.2818.XX	1200	800	1800	1270*870*1830	2.0220
TO.2820.XX			2000	1270*870*2030	2.2429
TO.2822.XX			2200	1270*870*2230	2.4639

## DEFINITION OF COLOR:

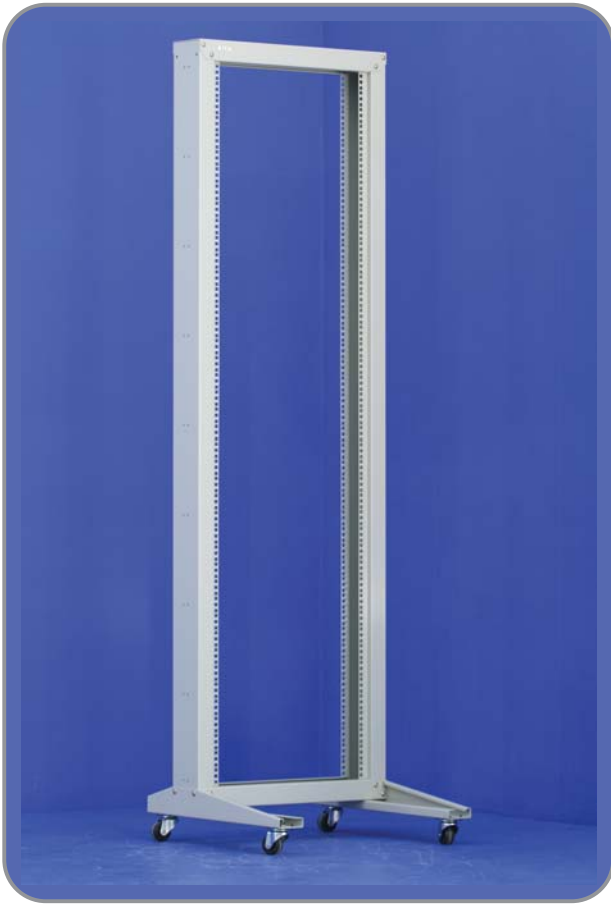
Model No.	Feature of mounting plate
TO.0000.01	Mounting panel: RAL2000, others: RAL7032
TO.0000.02	Mounting panel: Zinc, others: RAL7032

## DEFINITION OF COLOR:

	RAL7032 gray		RAL2000 yellow
---	-----------------	---	-------------------







### Features:

Modular design, Easy to Assemble

Optional accessories according to requirements (cable management slot, removable working panel, etc.,)

Complies with ANSI/EIA RS-310-D, IEC297-2, DIN41491, PART1, DIN41494, PART7 GB/T3047.2-92 standard.

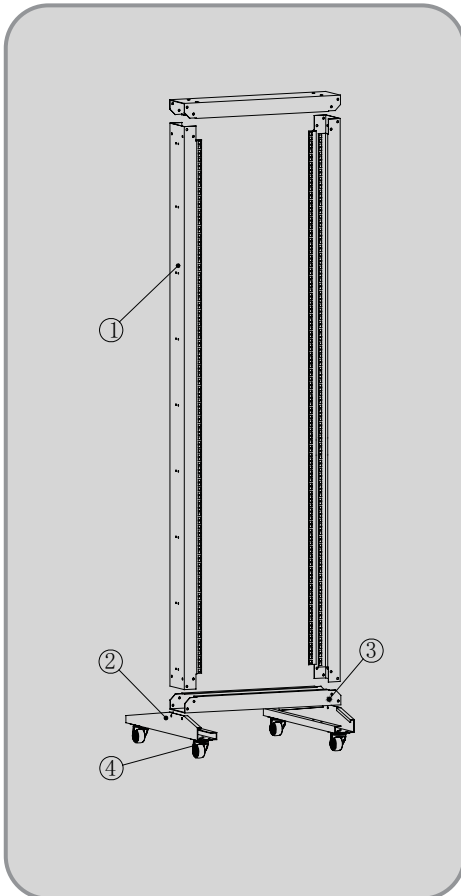
Static loading capacity: 150KG

Thickness: Single Rack plinth: 2.0mm;

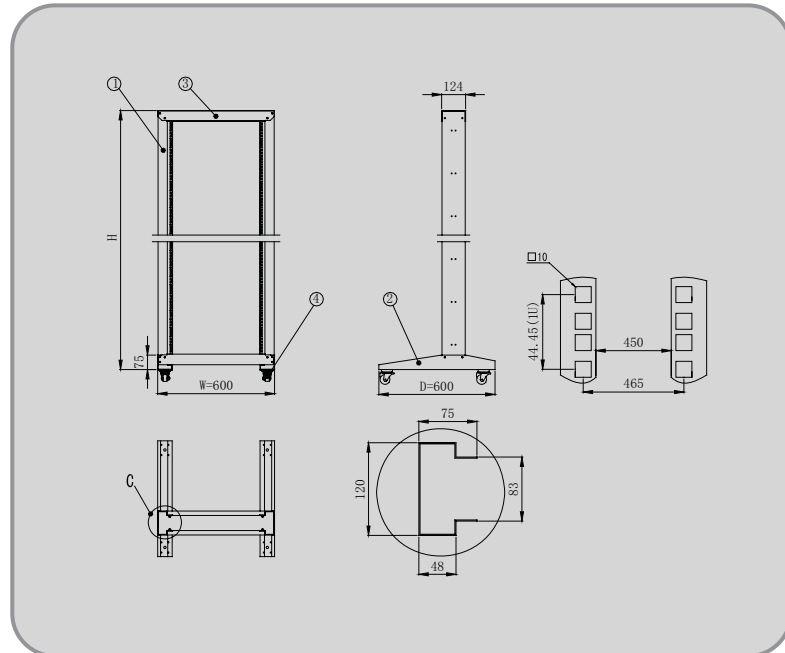
Front and bottom beams: 2.0mm, Pole: 1.5mm

### SPECIFICATION:

S/N	Specification	QTY	Material	Surface finish
1	Pole	2	SPCC Cold rolled steel t1.5	Powder coated
2	Plinth	2	SPCC Cold rolled steel t2.0	Powder coated
3	Horizontal beam	2	SPCC Cold rolled steel t2.0	Powder coated
4	2" heavy duty castor	4	---	---
5	Square screw & nut	10	Steel	Zinc
6	Allen wrench	1	Steel	Black



1.Pole  
2.Plinth  
3.Horizontal beam  
4.Heavy duty castor



### ORDERING INFORMATION:

Model No.	Capacity (U)	Height (mm)	Dimension W*D*H
TOR.6622.XX	22	1119	670*150*1149
TOR.6632.XX	32	1562	670*150*1592
TOR.6637.XX	37	1785	670*150*1815
TOR.6642.XX	42	2007	670*150*2037
TOR.6647.XX	47	2230	670*150*2260

# Open Data Racks



## Features:

Modular design, Easy to Assemble

Optional accessories according to requirements (cable management slot, removable working panel, etc.,)

Complies with ANSI/EIA RS-310-D, IEC297-2, DIN41494, PART1, DIN41494, PART7 standard.

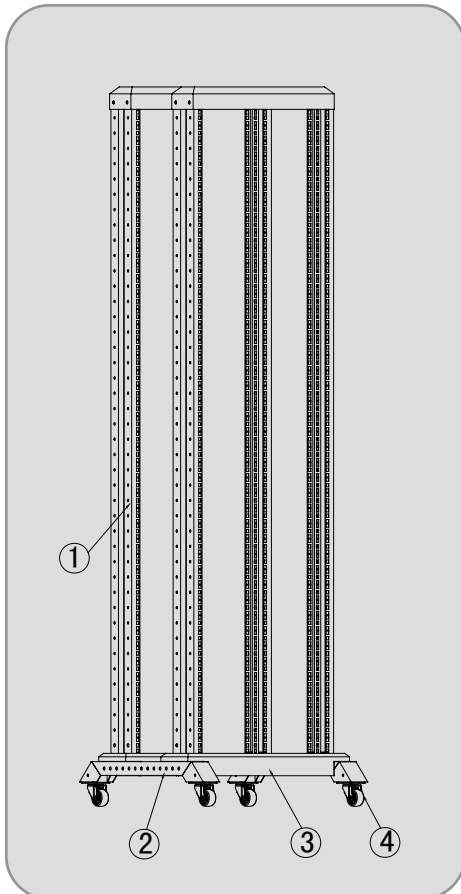
Static loading capacity: 150KG

Thickness: Double Rack plinth: 1.5mm;

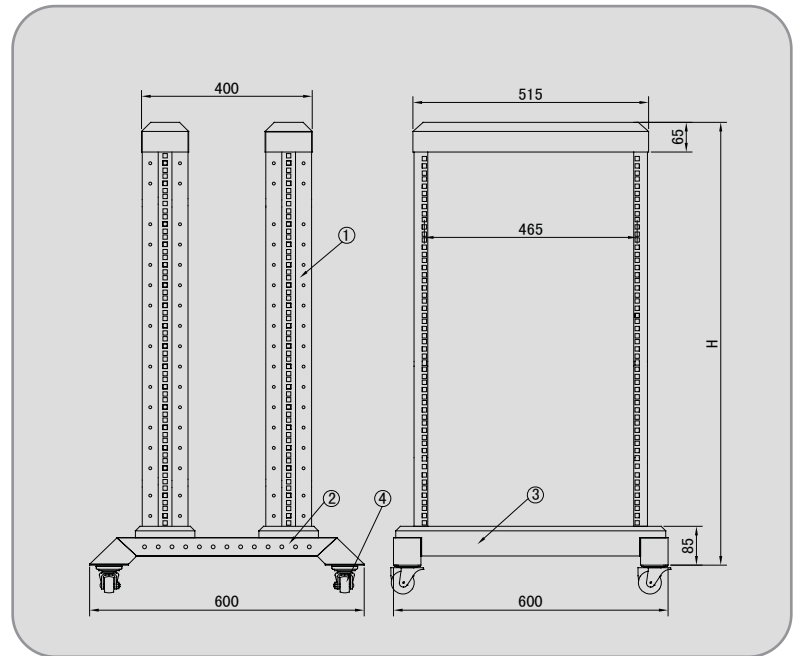
Front and bottom beams: 2.0mm, Pole: 1.5mm

## SPECIFICATION:

S/N	Specification	QTY	Material	Surface finish
1	Pole	4	SPCC Cold rolled steel t1.5	Powder coated
2	Plinth	2	SPCC Cold rolled steel t2.0	Powder coated
3	Horizontal beam	2	SPCC Cold rolled steel t2.0	Powder coated
4	2" heavy duty castor	4	---	---
5	Square screw & nut	10	Steel	Color Zinc
6	Allen wrench	1	Steel	Black



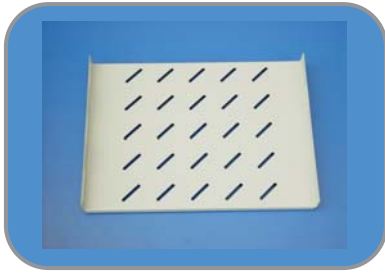
1. Pole 2.Plinth 3.Horizontal beam 4. Heavy duty castor



## ORDERING INFORMATION:

Model No.	Capacity (U)	Height (mm)	Dimension W*D*H
TDR.6622.XX	22	1119	670*150*1149
TDR.6632.XX	32	1562	670*150*1592
TDR.6637.XX	37	1785	670*150*1815
TDR.6642.XX	42	2007	670*150*2037
TDR.6647.XX	47	2230	670*150*2260

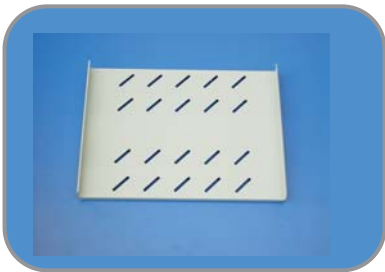




Fixed shelf:  
Use for placing equipment  
Loads upto 60kg  
Material: SPCC cold rolled steel  
Surface Finish: powder coated

## ORDERING INFORMATION

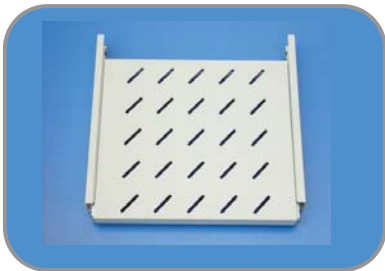
Part No.	Description	Dimensions		
		W	D1	D2
TL-FSL1960.XX	60 Fixed shelf	470	350	260
TL-FSL1980.XX	80 Fixed shelf	470	550	460
TL-FSL1990.XX	90 Fixed shelf	470	650	560
TL-FSL1996.XX	96 Fixed shelf	470	710	620
TL-FSL2160.XX	60 Extra wide-fixed shelf	670	350	260
TL-FSL2180.XX	80 Extra wide-fixed shelf	670	550	460
TL-FSL2190.XX	90 Extra wide-fixed shelf	670	650	560
TL-FSL2196.XX	96 Extra wide-fixed shelf	670	710	520



Heavy-duty fixed shelf:  
For applications when heavy  
Loads up to 100kg  
Material: SPCC Cold rolled steel  
Surface Finish: powder coated

## ORDERING INFORMATION

Part No.	Description	Dimensions		
		W	D1	D2
TL-FSH1960.XX	60 Heavy duty fixed shelf	470	350	260
TL-FSH1980.XX	80 Heavy duty fixed shelf	470	550	460
TL-FSH1990.XX	90 Heavy duty fixed shelf	470	650	560
TL-FSH1996.XX	96 Heavy duty fixed shelf	470	710	620
TL-FSH2160.XX	60 Heavy duty fixed shelf	670	350	260
TL-FSH2180.XX	80 Heavy duty fixed shelf	670	550	460
TL-FSH2190.XX	90 Heavy duty fixed shelf	670	650	560
TL-FSH2196.XX	96 Heavy duty fixed shelf	670	710	520



Sliding shelf  
Material: SPCC cold rolled steel  
t1.2 / 14"2-section slide  
Surface Finish: powder coated  
Flexing length: 210MM  
Loading capacity: 20KG

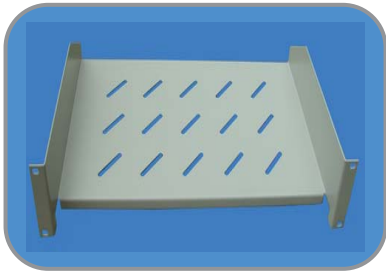
## ORDERING INFORMATION

Part No.	Description	Dimensions		
		W	D1	D2
TL-SSH1960.XX	60 Sliding shelf	470	350	380
TL-SSH1980.XX	80 Sliding shelf	470	550	580
TL-SSH1990.XX	90 Sliding shelf	470	650	680
TL-SSH1996.XX	96 Sliding shelf	470	710	740
TL-SSH2160.XX	60 Extra-width Sliding shelf	670	350	380
TL-SSH2180.XX	80 Extra-width Sliding shelf	670	550	580
TL-SSH2190.XX	90 Extra-width Sliding shelf	670	650	680
TL-SSH2196.XX	96 Extra-width Sliding shelf	670	710	740

### COLOR SELECTOR

TL-XXXXXX.00 - RAL7044 (GRAY)  
TL-XXXXXX.01 - RAL9004 (BLACK)





Cantilever shelf  
Material: SPCC cold rolled steel  
19" 2u MOUNTABLE  
Surface Finish: powered coated

## ORDERING INFORMATION

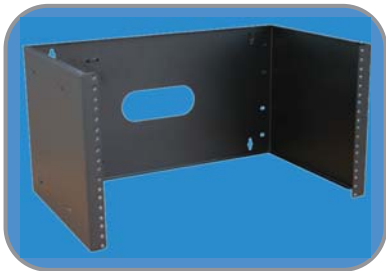
Part No.	Description	Dimensions	
		Depth (mm)	Thickness (MM)
TL-CS9451U	45 Cantilever shelf-	300	1.5
TL-CS96000	60 Cantilever shelf-	350	1.5
TL-CS9801U	80 Cantilever shelf-	550	1.5
TL-CS99000	96 Cantilever shelf-	710	1.5



Heavy duty castor:  
Surface Finish: Orchid Zinc

## ORDERING INFORMATION

Part No.	Description	Load		
		KG	H	
TTL-CASHD.20	2" heavy duty castor	150	72	50.8
TL-CASLD.20	2" light duty castor	100	65	50.8
TL-CASBR.20	2" castor with brake	150	72	50.8
TLCASHD.25	2.5" heavy duty castor	150	84.7	63.5
TL-CASBR.25	2.5" castor with brake	150	84.7	63.5



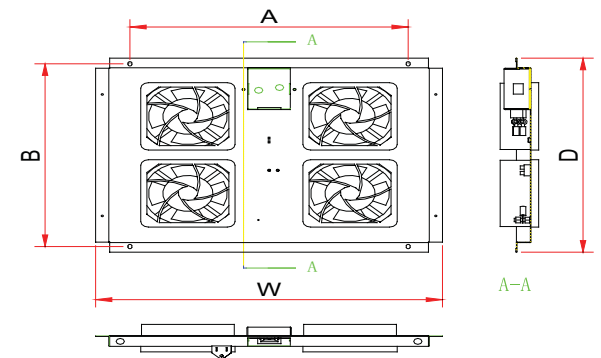
Wall mount bracket  
Material: SPCC cold rolled steel  
thickness: 1.5mm  
Surface finish: powder coated

## ORDERING INFORMATION

Part No.	Description	H		D	
		180	269	304.8	304.8
TL-WMBR4U.XX	4U Wall mount bracket				
TL-WMBR6U.XX	6U Wall mount				



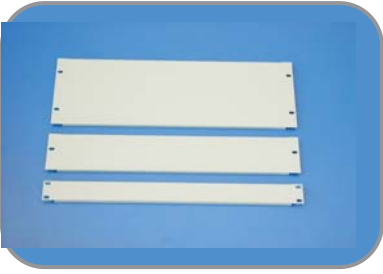
Fan unit  
Material: SPCC cold rolled steel  
Thickness:  
Power cord box: 1.2mm;  
Fan tray: 0.8mm  
Surface Finish: powder coated



## ORDERING INFORMATION

Part No.	Description	Dimensions			
		W	D	A	B
TL-FU602F.XX	Fan unit for 600mm deep cabinet with 2 fans	450	351	360	331
TL-FU804F.XX	Fan unit for 800mm deep cabinet with 4fans	450	551	360	531
TL-FU904F.XX	Fan unit for 900mm deep cabinet with 4fans	450	651	360	631
TL-FU964F.XX	Fan unit for 960mm deep cabinet with 4fans	450	711	360	691
TL-FU104F.XX	Fan unit for 1000mm deep cabinet with 4fans	450	751	360	731

Color Selector  
TL-XXXXXX.00 - RAL7044 (Gray)  
TL-XXXXXX.01 - RAL9004 (Black)



**Blanking panel**  
 19" cabinets as blanking plate  
 Material: SPCC cold rolled steel  
 Surface Finish: powder coating  
 Colors: RAL7044 RAL9004

ORDERING INFORMATION		
Part No.	Description	Height
TL-BP1UMT.XX	1U Blanking panel	1U
TL-BP2UMT.XX	2U Blanking panel	2U
TL-BP4UMT.XX	4U Blanking panel	4U



**Door lock:**  
 Simple structure,  
 economic,  
 operate easily  
 Surface finish:  
 Plated Nickel

ORDERING INFORMATION		
Part No.	Description	
TL-DLNP.001	103-25, universal key	
TL-DLNP.004	103-20, universal key	
TL-DLNP.005	103-16, universal key	



**Display Panel**  
 19" Rack-mountable display panel  
 with 10U height 10U  
 Material: SPCC cold rolled steel  
 Surface Finish: powder coating

ORDERING INFORMATION		
Part No.	Description	Height
TL-CM1UPR.XX	1U Plastic cable management	1U



**1U Cable Manager**  
 with plastic rings  
 19" Rack-mountable removable  
 plastic cable management rings  
 Material: SPCC t1.2/plastic cable  
 management ring  
 Surface Finish: powder coating

ORDERING INFORMATION		
Part No.	Description	
TL-CM1UPR.XX	1U Plastic cable management	



**Shunting rail**  
 Use for 19" cabinets  
 fastening cables  
 Material: SPCC cold rolled steel  
 Surface Finish: powder coating

ORDERING INFORMATION		
Part No.	Description	Height
TL-SR1UPL.XX	1U Plastic cable management	1U





Cooling fan  
Lower noise ,  
long lifespan,  
plastic filter optional  
Dimension: 120mm\*120mm\*38mm  
Mounting dimension: 105mm\*105mm  
Air flow: 50-110CBM/H

## ORDERING INFORMATION

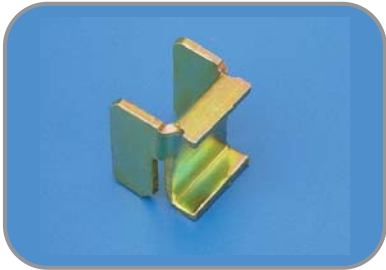
Part No.	Description	Voltage
TL-CFCBPL.01	Cooling fan	220V
TL-CFCBPL.02	Cooling fan	110V
TL-CFCBPL.03	Cooling fan (DC)	48V
TL-CFCBPL.04	Cooling fan (bearing)	220V
TL-CFCBPL.05	Cooling fan (bearing)	110V
TL-CFCBPL.06	Cooling fan (DC, bearing)	48V



Keyboard tray  
with mouse panel  
19" Rack-Mountable,  
keyboard tray  
with mouse panel,  
easy to operate  
Material: SPCC cold rolled steel  
3pcs sliding rails  
Sliding length: 220mm  
Loading capacity: 20 KG

## ORDERING INFORMATION

Part No.	Description	Height
TL-KT2UMPXX	Keyboard tray with mouse panel	2U



Baying Kit:  
Baying Free standing  
cabinet without  
nuts, easy operation  
and safe  
Material: SPCC cold rolled steel  
Surface finish: Plated color Zinc  
Remark: Remove side panels  
when baying

## ORDERING INFORMATION

Part No.	Description
TL-BKFSMT.01	Baying kit for Free standing cabinet
TL-BKSRMT-02	Baying kit for server racks



Advanced  
moon-shaped lock  
Surface in silver gray,  
spinning structure,  
special surface with coating  
Surface finish:  
Oxidation powdered

## ORDERING INFORMATION

Part No.	Description
TL-DLAMSL	Advanced moon-shaped lock

### COLOR SELECTOR

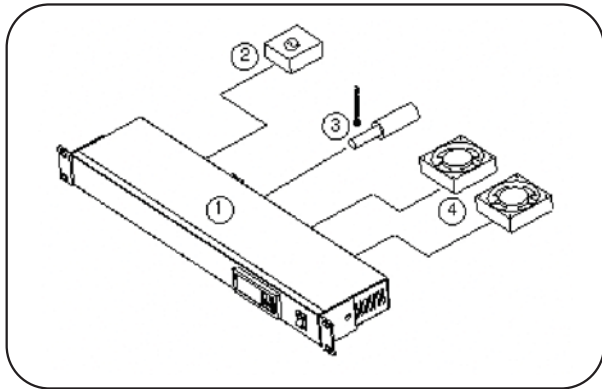
TL-XXXXXX.00 - RAL7044 (GRAY)  
TL-XXXXXX.01 - RAL9004 (BLACK)





DTU adjusts cabinet's temperature by digital thermostat.

IP Protection to IP23  
Sound resistant



## PRODUCT SPECIFICATION

S/N	Specification	Quantity
1	Temperature controller	1
2	Cable	1
3	Temperature sensor	1
4	M6 Square nut	4
5	M6 B-head screw	4
6	Allen wrench	1
7	M4 screw	8

## ORDERING INFORMATION

Model No.	Plug type	Voltage/Frequency	current
DTUUL110	UL (US)	110V/50-60Hz	10A
DTUGM220	Germany	220V/50-60Hz	16A
DTUUK220	UK	230V/50-60Hz	13A



## PRODUCT SPECIFICATION

1U fan unit

For network cabinet, adjust inner temperature

Parameter: period: 0 ~ 50s, input: 220VAC/115VAC

## ORDERING INFORMATION

Model No.	Specification	Remark
TLFU102	1U fan unit with 2fans	2 fans
TLFU103	1U fan unit with 3fans	3 fans
TLFU104	1U fan unit with 4fans	4 fans

# Power Distribution Unit

## Power distribution unit:

Supplied as equipment power

19" installation

Multiple specification optional

1.8m/3m length cable

With or without main switch for power input



6-outlet All-usage PDU (TPD.0601.GY)



6-outlet German-type PDU (TPD.0604.BL)



5-outlet German-type PDU (TPD.0504.GY)



6-outlet UK-type PDU (TPD.0602.BL)



6-outlet UK-type PDU (TPD.0602.GY)



10-outlet All-usage PDU (TPD.1001.BL)



6-outlet All-usage PDU (TPD.0601.BL)



10-outlet UK-type PDU (TPD.1002.BL)

## ORDERING INFORMATION:

Part No.	Specification	Description
TPD.0504.XX	5-outlet German-type PDU	German-type with main switch,1.8m-length,19" installation, with 19"install panel(in color black/white)
TPD.0601.XX	6-outlet All-usage PDU	All-usage with main switch,1.8m-length,19" installation, with 19"install panel(in color black/white)
TPD.0602.XX	6-outlet UK-type PDU	UK-type with main switch,1.8m-length,19" installation, with 19"install panel(in color black/white)
TPD.0603.XX	6-outlet UL-type PDU	UL-type with main switch,1.8m-length,19" installation, with 19"install panel(in color black/white)
TPD.0601.BL	6-outlet All-usage PDU	with main switch,3.0m-length cable,19" installation(only black)
TPD.0602.BL	6-outlet UK-type PDU	with main switch,3.0m-length cable,19" installation(only black)
TPD.0603.BL	6-outlet UL-type PDU	with main switch,3.0m-length cable,19" installation(only black)
TPD.0604.BL	6-outlet German-type PDU	with main switch,3.0m-length cable,19" installation(only black)
TPD.0801.BL	8-outlet All-usage PDU	with main switch,3.0m-length cable, without mounting material(only black)
TPD.0802.BL	8-outlet UK-type PDU	with main switch,3.0m-length cable, without mounting material(only black)
TPD.0803.BL	8-outlet UL-type PDU	with main switch,3.0m-length cable, without mounting material(only black)
TPD.0804.BL	8-outlet German-type PDU	with main switch,3.0m-length cable, without mounting material(only black)
TPD.1001.BL	10-outlet All-usage PDU	with main switch,3.0m-length cable, without mounting material(only black)
TPD.1002.BL	10-outlet UK-type PDU	with main switch,3.0m-length cable, without mounting material(only black)
TPD.1003.BL	10-outlet UL-type PDU	with main switch,3.0m-length cable, without mounting material(only black)
TPD.1004.BL	10-outlet German-type PDU	with main switch,3.0m-length cable, without mounting material(only black)
TPD.1201.BL	12-outlet All-usage PDU	with main switch,3.0m-length cable, without mounting material(only black)
TPD.1202.BL	12-outlet UK-type PDU	with main switch,3.0m-length cable, without mounting material(only black)
TPD.1203.BL	12-outlet UL-type PDU	with main switch,3.0m-length cable, without mounting material(only black)
TPD.1204.BL	12-outlet German-type PDU	with main switch,3.0m-length cable, without mounting material(only black)
TPD.1501.BL	15-outlet All-usage PDU	with main switch,3.0m-length cable, without mounting material(only black)
TPD.1502.BL	15-outlet UK-type PDU	with main switch,3.0m-length cable, without mounting material(only black)
TPD.1503.BL	15-outlet UL-type PDU	with main switch,3.0m-length cable, without mounting material(only black)
TPD.1504.BL	15-outlet German-type PDU	with main switch,3.0m-length cable, without mounting material(only black)

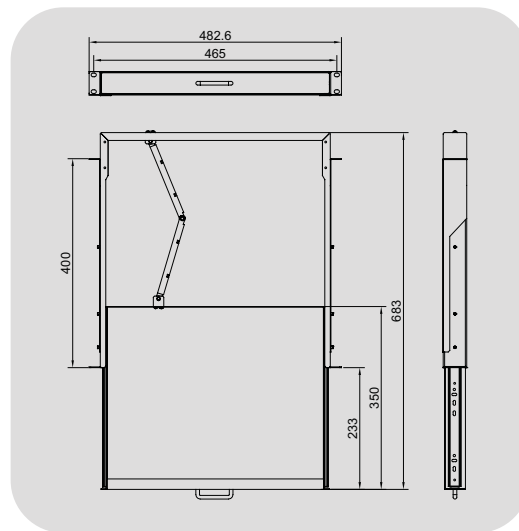
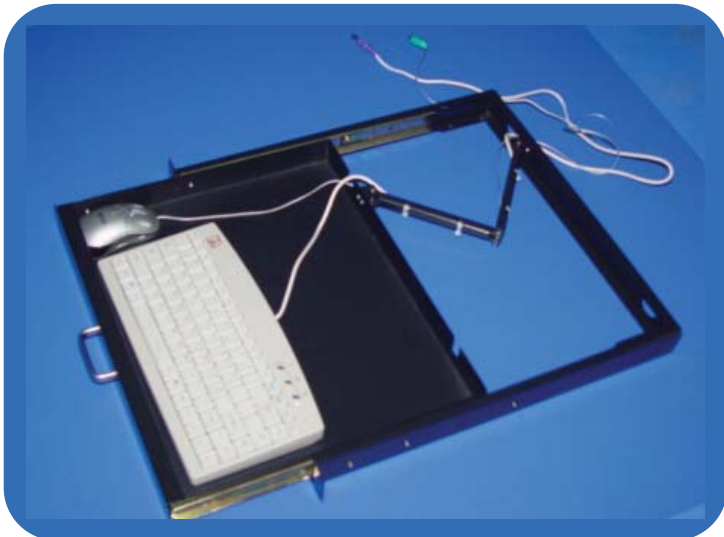
## PDU PARAMETER:

Specification	V/HZ	A	Standard
UL-type	120V/50-60Hz	10A	IEC60906 (UL)
All-usage	250V/50-60Hz	10A	GB2093.3-1997 (China)
German-type	250V/50-60Hz	16A	DIN49440 (Germany)
UK-type	250V/50-60Hz	13A	BS1363 (UK)

## COLOR SELECTOR

Part No.	Color
TPD. . BL	RAL9004 BLACK
TPD. . GY	RAL7035 GRAY

## KEYBOARD TRAY



PART# TKBSXX

SLIDING LENGTH: 210MM

LOADING CAPACITY: 20KG







## FEATURES

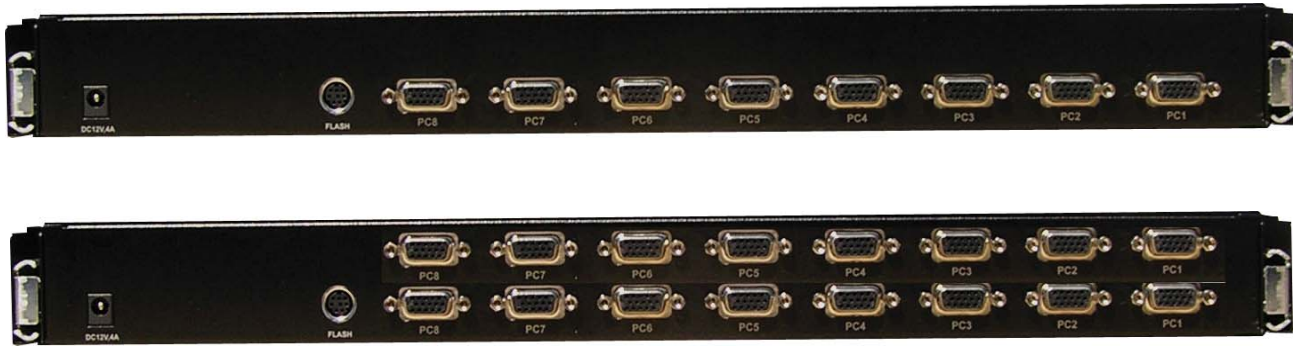
1U (19") Rack mountable  
 Heavy duty steel construction  
 Integrated Teleskope-Rails  
 Front panel lockable with practical knurled screws  
 RGB analog LCD Display up to 1280x1024 with 300 cd/m (sq) brightness (17")

## SPECIFICATIONS

RoHS conform;  
 Casecolor RAL 9005;  
 Adjustable Rack-Slides for convenient positioning of the unit when in use;  
 Connections EM-817RX: 8xDB-15 (PS/2 and VGA), Flash Port;  
 Connections EM-1617RX: 16xDB-15 (PS/2 and VGA), Flash Port;  
 106 Key Windows PS/2 Keyboard with Touchpad;  
 Monitor open angle 0° - 105°;  
 Keyboard Layouts: german / us-english / french / italian and spanish (further Layouts on request)

## TECHNICAL SPECIFICATION - LCD MONITOR

	15"	16,2 M.	17"
Display Size:	15"	16,2 M.	17"
Resolution:	Maximum 1024x768		Maximum 1024x768
Number of colors::			
Optical frequenz:	H: 48,4KHz – 62,5KHz V: 55,0KHz – 75,0KHz	80MHz	H: 30,0KHz – 70,0KHz V: 55,0KHz – 75,0KHz
Viewing angle:	H: 120° / V: 110°		H: 140° / V: 130°
Bandwidth:			
Brightness:	250 cd/m <sup>2</sup>	8ms	300 cd/m <sup>2</sup>
Contrast Ratio:	350:1		700:1
Response time:			
Pixel pitch:	0,297mm(H) x 0,297mm(V)	Input: 100V – 240V AC, 48HZ – 62HZ	0,264mm(H) x 0,264mm(V)
Backlights:	2xCCFL	Output: DC 12V, 4,0A	4xCCFL
Power Supply:			



## TECHNICAL SPECIFICATION - KVM-SWITCH

Computer connections:	8	16
Daisy-Chain:	64 (with 8 Port modules)	128 (with 16 Port modules)
Port selection:	OSD / Hot Key / Push Buttons	
Connectors on the backside:	8xDB-15 (PS/2 + VGA), Daisy-Chain IN/OUT, Flash-Port	
Resolution:	Max. 1280x1024	
Flash upgrade port:	Firmware upgradeable Via Mini DIN 6 Pin console Mouse Port	
Available Cable length:	1,8m (KAB-102) / 3,0m (KAB-103) / 5,0m (KAB-105)	
Power Supply:	DC 5V, 2,5A	
Support:	Standard PS/2 Connectors for PC	

## ORDERING INFORMATION

Part No.	Description
TL-KB115E-B	1U 15"LCD+K/B+Mouse Drawer, Depth=390mm for Rack Mount 500-800mm
TL-KB115C-B/W	1U 17"LCD+K/B+Mouse Console drawer, 1 Port, Depth=535mm, With RoHS incl. Installation-kit & KVM-Module(optional), for rack mount depth 800-1000mm,
TL-117C-B/W	1U 17"LCD+K/B+Mouse Console drawer, 1 Port, Depth=535mm, With RoHS incl. Installation-kit & KVM-Module(optional), for rack mount depth 800-1000mm, with USB DVD-ROM optical driver
TL-KB-117C-DVD	1U 17"LCD+K/B+Mouse Console drawer, 1 Port, Depth=535mm, With RoHS incl. Installation-kit & KVM-Module(optional), for rack mount depth 800-1000mm, with USB DVD-ROM optical driver and 2xUSB Connectors
TL-KVM108-B/W	8 Port KVM Module with accessories cascading up to 8 Level, without cable-sets
TL-KVM116-B/W	16 Port KVM Module with accessories cascading up to 8 Level, without cable-sets
TL-KRT-1701	1U 17"LCD+K/B+Mouse console drawer, 1 Port, D=580mm Dual-Rail, K/B and Monitor module to operate independently
TL-KRT-1716	1U 17"LCD+K/B+Mouse, integrated Cat5 KVM 16 Port, D=580mm Dual-Rail, K/B and Monitor module to operate independently
TL-EM-817RX	1U 17"LCD+K/B+Mouse drawer, with 8 Port KVM, Depth=530mm
TL-EM-1617RX	1U 17"LCD+K/B+Mouse drawer, with 16 Port KVM, Depth=530mm
TL-EM-1617RK	1U 17"LCD+K/B+Mouse drawer, with Cat5 KVM 16 Port, Depth=530mm
TL-KB100-B/W	1U Keyboard/Touch-Pad Drawer D=450mm, with RoHS
TL-DP115-B/W	1U 15" LCD-Display drawer with telescop-rail incl. Installation-kit
TL-DP117-B/W	1U 17" LCD-Display drawer with telescop-rail incl. Installation-kit
TL-DNG-PS2	CAT5 KVM SWITCH Cable-Sets, Connector 1xVGA, 2xPS2
TL-DNG-USB	CAT5 KVM SWITCH Cable-Sets, Connector 1xVGA, 1xUSB
TL-KAB-102	VGA/Keyboard/Mouse 3-in-1 cable-set for console & KVM, Length=1.8m

LCD-Monitor with KVM Switch





## PUNCH DOWN TOOL

Terminates AWG 28-22 solid or stranded wires  
Reversible blades for terminating without cutting  
Economical in price without compromised quality  
Designed to work with CAT 6 AWG 23 cable H

### ORDERING INFORMATION

PDT1PR      pUNCH DOWN TOOL 1 PAIR



## PUNCH DOWN TOOL 5 PAIR

Available with either 5-pair or 4-pair heads  
Terminates AWG 28-22 solid or stranded wires  
Reversible blades for terminating without cutting  
Designed to work with CAT 6 AWG 23 cable

### ORDERING INFORMATION

PDT4PR      pUNCH DOWN TOOL 4 PAIR  
PDT5PR      pUNCH DOWN TOOL 5 PAIR



## DUCT CUTTER

Duct cutter Tool is a sharp solution to cut through plastic wiring Ducts  
Duct tool is spring-loaded for easy use and sports a safety catch to ensure safety.

### ORDERING INFORMATION

DCTR      DUCT CUTTER TOOL



## CABLE STRIPPER

Strips Round CAT-5e/Cat6 (UTP / STP) Cables  
Strips flat telephone & coaxial Cables  
Self-regulating stripping method  
Compact built with non-Metallic Body  
Cuts Cables

### ORDERING INFORMATION

CSTR      CABLE STRIPPER & CUTTER



## CRIMP TOOL

Crimping tool head for RJ45, RJ 11  
Stripper strips round 28-22AWG cable  
High precision for no fault crimping.  
Stripper and cutter integrated.  
Universal High performance, Light weight

### ORDERING INFORMATION

CRMTL      CRIMP TOOL FOR RJ45 & RJ11





**LAN TESTER**

**PRODUCT SPECIFICATION**

Informative status lights  
 BNC adapter for testing BNC cables Ability to test remote locations or installed locations with remote unit  
 Automatically runs all tests and checks for continuity, open, shorted and crossed wire pairs on RJ-45-EIA 568A/568B (AT&T 258A), 10 Base-T,Token Ring, RJ11/12 USOC & Coaxial BNC cables, Deluxe carrying bag included  
 Power supply: 9-volt battery (not incl.)

**ORDERING INFORMATION**

Part No	Description
LANTS	LAN Tester For RJ45, RJ12, RJ11, RJ10 and BNC



**FIBER TERMINATION TOOL BOX**

**PRODUCT SPECIFICATION**

PRODUCT CODE	DESCRIPTION
T-TB	Termination Tool Box Includes T-PB & T-AB
T-PB	Polishing Tool Box - Polishing Only
T-MI-ST-F1	1PC,x100 microscope with ST adaptor
T-PH-01-ST-00	1PC, for ST connector manual polishing
T-PP-70-4	3Pcs, Polishing Pad
P-PF-AR-4-00	50pcs, adhesive removal polishing film
P-PF-DR-4-00	5Pcs, rough polishing film
P-PF-DM-4-00	5Pcs, medium polishing film

**ORDERING INFORMATION**

Product Code	Description
T-AB	Assembly Tool Box – Assembly Only
T-ST-PVC	1pc,to strip PVC cable
T-ST-MIL	1pc, to strip 900mm buffer fiber
T-SH	1Pc, to cut the Kevlar
T-CR-ST	1PC, to cure SC & ST connectors
T-PS	1PC, to cut the fiber end
T-PW-05	5PCS, to insert into ferrule
I-EH-24-00	1PC, to cure the epoxy
X-EP-3N-LO	10tubes, EPOXY for ferrule and fiber
X-EP-45-00	1tubes, for rubber hood and fiber cable
X-WI	1SET,cleaning paper



**TOOL KIT**

**PRODUCT SPECIFICATION**

6in Wire stripper pliers	3-Prong holder
3-pc Soldering aid set	Utility knife
Heat sink	De-soldering pump
3 x 38 Magnifier glass	Soldering iron
Stainless steel tweezers	8-pc Mini electronic combination wrench set
6-pc Precision screwdriver set	4-1/2in Stainless steel side cutter pliers
Parts box	5in Stainless steel long nose pliers
PU carrying case	Screwdrivers: 3.2 x 75 mm, 5 x 75 mm, Slotted: 3.2 x 75 mm, 5 x 75 mm.
Soldering stand	
Solder core	

**ORDERING INFORMATION**

Part No	Description
TKITRJ45	Tool kit for termination of RJ45



# About Us

Techlogiks Inc. is the global provider of passive networking components. We are committed to innovation and excellence bringing freshness to the networking industry. With our innovative product range and professional management we offer the highest quality products that distinguish themselves from others with uncompromising performance and maximum reliability at competitive cost.

The highest quality standards for quality you can count on!

At Techlogiks, quality assurance is an integral component of our product planning and design process. From design to manufacturing to shipping, we take all necessary steps to ensure that you, our customer, receive a quality product.

We are committed to the future by updating and growing with the industry. We will continue to be compliant with the standards at the same time try to make sure the installation is made easier and the performance unmatched.



***Proudly Canadian***



## CANADA

TECHLOGIKS CANADA INC.  
3170 RIDGEWAY DR, UNIT #2  
MISSISSAUGA, ONTARIO L5L 5R4

TEL: +1.905.569.2166  
FAX: +1.905.569.2156  
EMAIL: info@techlogiks.com

## USA

TECHLOGIKS (USA) INC.  
4637 CHABOT DRIVE, SUITE 100  
PLEASANTON, CA 94588

TEL: +1.888.817.0635  
FAX: +1.925.884.5566  
EMAIL: sales@techlogiks.com

## SAUDI ARABIA

SAAFER E-SERVICES CO.  
P.O. BOX 19814, JEDDAH-21445  
KINGDOM OF SAUDI ARABIA

TEL: +966.2.263.0355, EXT 111  
FAX: +966.2.263.0355, EXT 115  
EMAIL: sales@saaferco.com

## UNITED ARAB EMIRATES

FUTURE LINK COMMUNICATIONS LLC  
P.O. BOX 28857 AL-SAFA.C BLDG, R.#.102, 1ST FLOOR  
DUBAI, UNITED ARAB EMIRATES

TEL: +971.4.397.8660  
FAX: +971.4.397.8661  
EMAIL: fulincom@emirates.net.ae

## QATAR

CYBER MICRO SOLUTION TECHNOLOGIES  
P.O. BOX 17750, SALWA RD.  
DOHA QATAR

TEL: +974.4516993  
FAX: +974.4516987  
EMAIL: gsphilip@cmstechnologiesqatar.com

# International Locations





**1-800-233-9593**  
**www.techlogiks.com**



**CANADA**

TEL: +1.800.233.9593  
EMAIL: info@techlogiks.com

**USA**

Tel: +1.888.817.0635  
Email: sales@techlogiks.com

**QATAR**

TEL: + 974.4516993  
Email: gsphilip@cmstechnologiesqatar.com

**UNITED ARAB EMIRATES**

Tel: +971.4.397.8660  
Email: fulincom@emirates.net.ae

**SAUDI ARABIA**

Tel: +966.2.263.0355  
Email: sales@saafeco.com